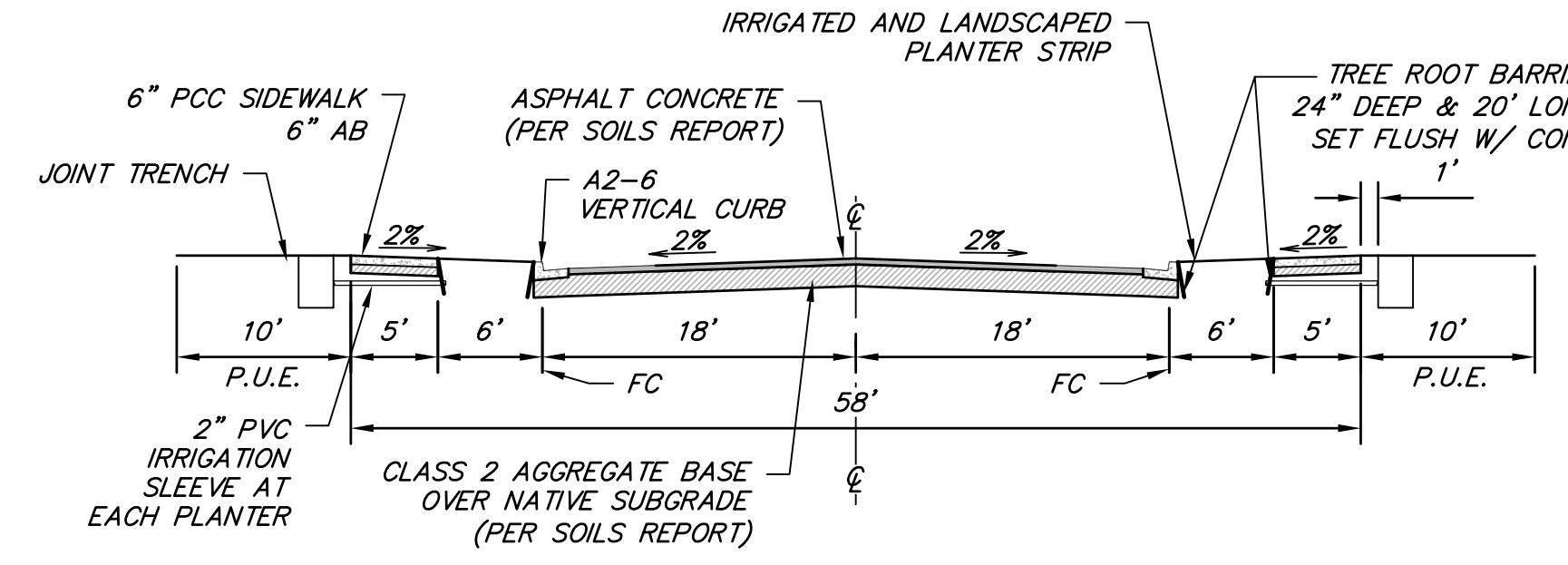


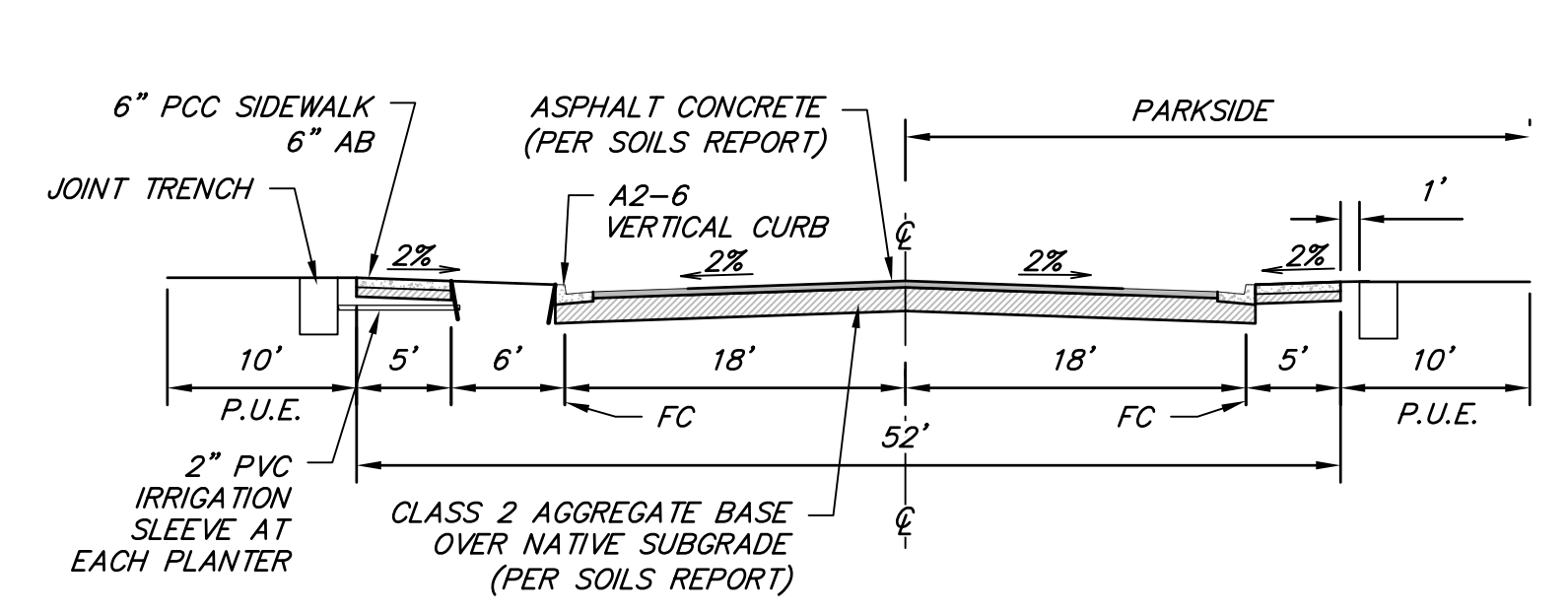
**66' COLLECTOR**

COWELL DRIVE  
SCALE: 1" = 10'



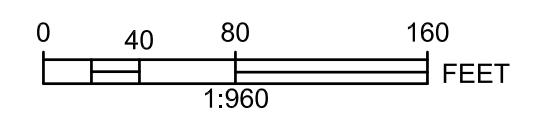
**58' LOCAL RESIDENTIAL**

ROAD "A", ROAD "B", ROAD "C", ROAD "D", GABLE DRIVE  
SCALE: 1" = 10'



**52' LOCAL RESIDENTIAL**

COURT A, ROAD "E", ROAD "F", ROAD "G"  
SCALE: 1" = 10'



NOTE:  
SEE SHEET TM1 FOR ADDITIONAL SECTIONS

REVISIONS				
NO.	DATE	ISSUED FOR	BY	

Drawn By: KRL  
Issue Date: 2019.12.31  
Job No.: NCO7254  
Checked: DAM  
Design By: KRL

12/31/2019

**MVE Inc.**  
1117 L Street, Modesto, CA 95354 | 866.526.4214 | www.mve.net  
Northern California | Southern California | Nevada

**ORCIUOLI SUDIVISION**  
**TENTATIVE SUBDIVISION MAP**  
**CALCULATED SITE PLAN AND UTILITIES**  
YOLO COUNTY, ESPARTO, CALIFORNIA

DWG. **TM2**  
SHEET **2**  
OF **2**

Plot December 31, 2019 at 12:23 PM X:\VME\_3D\Cow\_3D\Projects\NCO7254\Orciuoli\_Property\PLANS\Tent\_Map\NCO7254MRFM.dwg