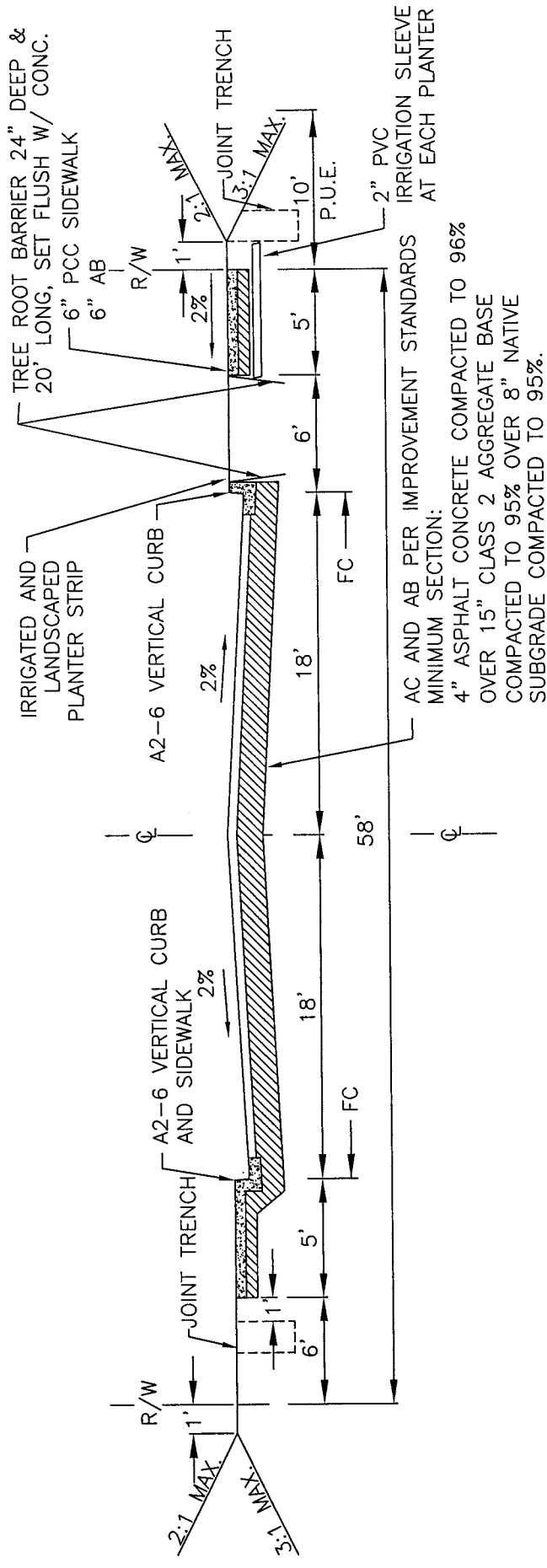


Standard Drawings		
Section 4 – Transportation Improvements		
Drawing	Sheets	Description
4-1	1	Local Residential Street
4-2	1	Local Residential-Low Volume Street
4-3	1	Primary Residential Street
4-4	1	Collector Street
4-5	1	Industrial Street
4-6	1	Arterial (2-Lane) Street
4-7	1	Arterial (4-Lane) Street
4-8	1	Rural Street
4-9	1	Residential Cul-de-Sac
4-10	1	90 degree Intersection Elbow
4-11	1	Corner layout for Arterial Intersections
4-12	1	Commercial Frontage and Driveway Regulations
4-13	1	Visibility Requirements at Intersections and Driveways
4-14	1	Class “C” Street Intersection
4-15	1	Concrete Valley Gutter
4-16	1	Pavement Welding Detail
4-17	1	Trench Sections in Improved Areas
4-18	1	Bike Path - Off-street
4-19	1	A2-6 Vertical Curb and Gutter
4-20	1	Low Profile Curb and Gutter
4-21	1	Curbs
4-22	3	Standard Driveway Details
4-23	1	Rural Road – Driveway Detail
4-24	2	Special Commercial Frontage Entrance
4-25	1	Under Sidewalk Drain
4-26	2	Signs and Barricades at Temporary Street Ends

Standard Drawings		
Section 4 – Transportation Improvements		
Drawing	Sheets	Description
4-27	1	Removable Bollard
4-28	3	Street Sign Assembly and Sign Post Details
4-29	3	Bus Turnout and Bus Shelter Design



MONOLITHIC CURB, GUTTER AND SIDEWALK OPTION PLANTER STRIP OPTION

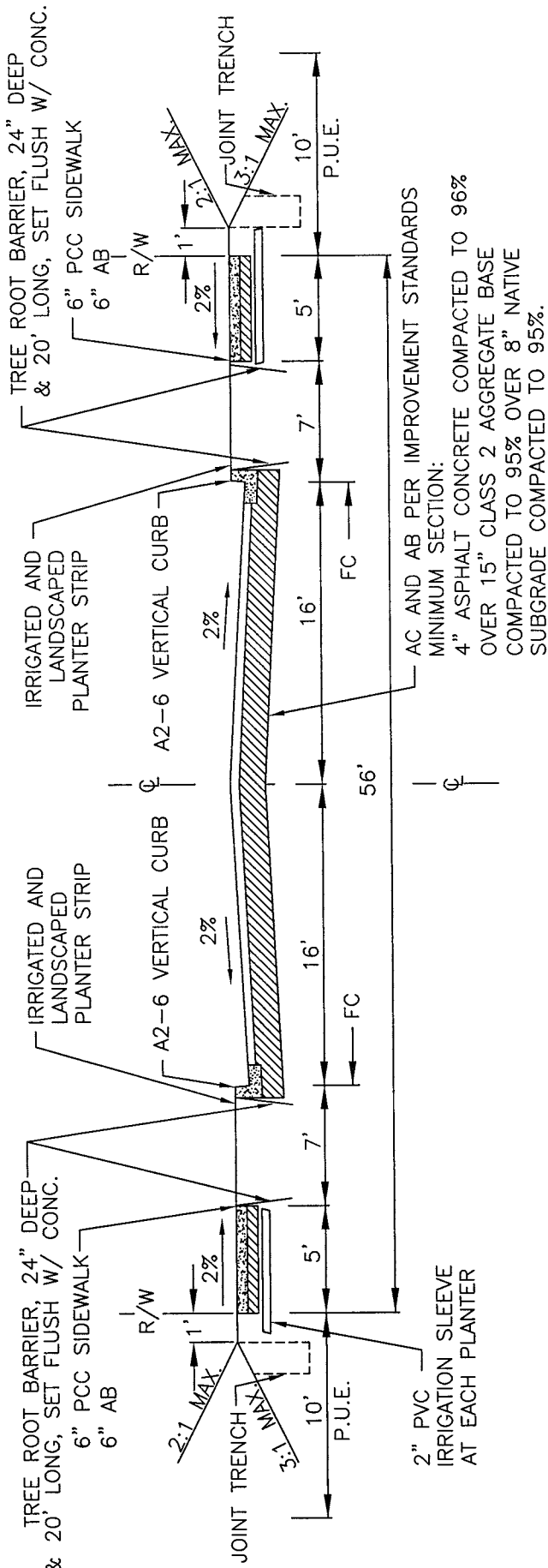
LOCAL RESIDENTIAL

LOCAL RESIDENTIAL: T.I. = 5.0 (MINIMUM)
 LOCAL RESIDENTIAL CUL-DE-SAC: T.I. = 6.5 (MINIMUM)

NOTES:

1. LANDSCAPING WITHIN ROAD RIGHT OF WAY SHALL BE MAINTAINED BY ADJACENT PROPERTY OWNER.
2. REFER TO APPROVED PLANTING LIST FOR TREE SPECIES ALLOWED IN PLANTER STRIPS.
3. JOINT UTILITY TRENCHES CONTAINING DIRECT BURIAL CABLES SHALL BE LOCATED BEHIND THE BACK OF WALK.
4. ADD 10' TO STREET AND RIGHT OF WAY WIDTH WHERE BICYCLE LANES ARE TO BE PROVIDED.
5. LIME OR CEMENT TREATMENT OF THE TOP 12" OF THE SUBGRADE SHALL BE REQUIRED WHERE THE "R" VALUE IS 20 OR LESS.

PLANNING AND PUBLIC WORKS DEPARTMENT	DATE: 08/05/08
LOCAL RESIDENTIAL	SHEET # 1 OF 1
<i>James Kallas</i> COUNTY ENGINEER No. C42401	DRAWING #: 4-1 NOT TO SCALE
	APPROVAL DATE 28 AUG. 08



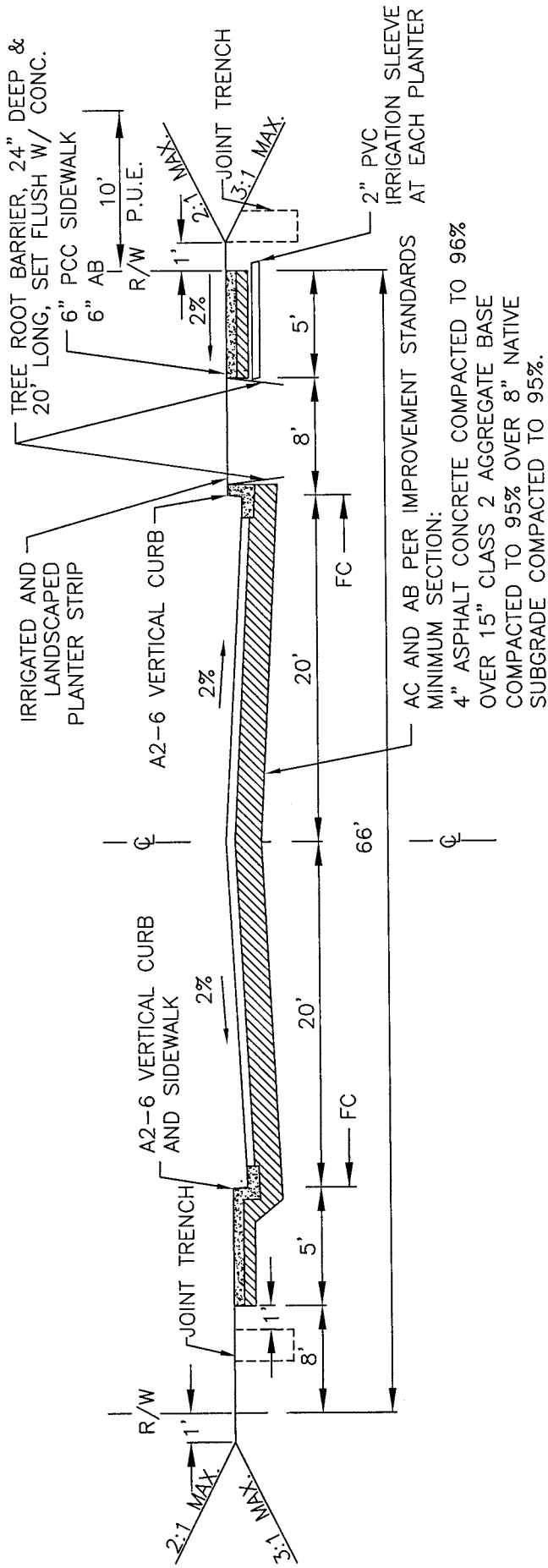
LOCAL RESIDENTIAL - LOW VOLUME

LOCAL RESIDENTIAL: T.I. = 5.0 (MINIMUM)
 LOCAL RESIDENTIAL CUL-DE-SAC: T.I. = 6.5 (MINIMUM)

NOTES:

1. USED ONLY IF SERVING LESS THAN 12 SINGLE FAMILY DWELLING UNITS WITH LOT FRONTAGE < 100'.
2. LANDSCAPING WITHIN ROAD RIGHT OF WAY SHALL BE MAINTAINED BY ADJACENT PROPERTY OWNER.
3. REFER TO APPROVED PLANTING LIST FOR TREE SPECIES ALLOWED IN PLANTER STRIPS.
4. JOINT UTILITY TRENCHES CONTAINING DIRECT BURIAL CABLES SHALL BE LOCATED BEHIND THE BACK OF WALK.
5. ADD 10' TO STREET AND RIGHT OF WAY WIDTH WHERE BICYCLE LANES ARE TO BE PROVIDED.
6. LIME OR CEMENT TREATMENT OF THE TOP 12" OF THE SUBGRADE SHALL BE REQUIRED WHERE THE "R" VALUE IS 20 OR LESS.

COUNTY OF YOLO PLANNING AND PUBLIC WORKS DEPARTMENT	DATE: 08/05/08 SHEET # 1 OF 1
LOCAL RESIDENTIAL - LOW VOLUME	DRAWING #: 4-2 APPROVAL DATE <i>Carlos Kallas</i> 28 Aug 08
COUNTY ENGINEER No. C42401 NOT TO SCALE	



MONOLITHIC CURB, GUTTER AND SIDEWALK OPTION

PLANTER STRIP OPTION

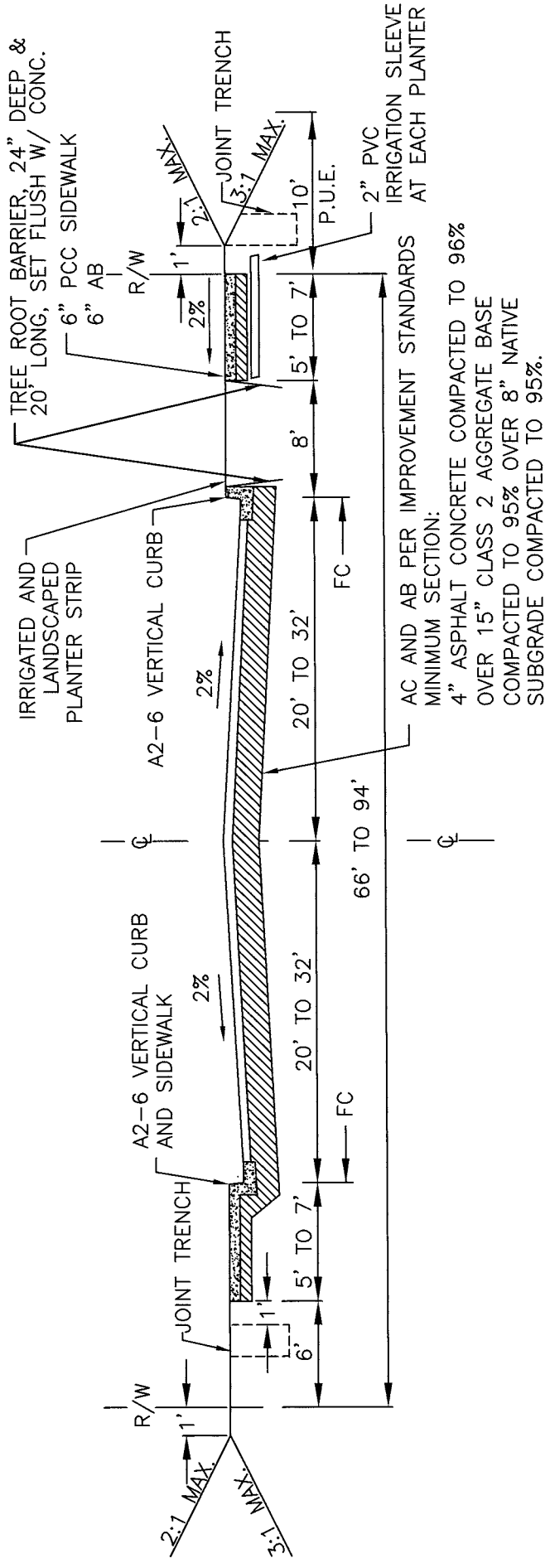
PRIMARY RESIDENTIAL

PRIMARY RESIDENTIAL: T.I. = 6.0 (MINIMUM)

NOTES:

1. LANDSCAPING WITHIN ROAD RIGHT OF WAY SHALL BE MAINTAINED BY ADJACENT PROPERTY OWNER.
2. REFER TO APPROVED PLANTING LIST FOR TREE SPECIES ALLOWED IN PLANTER STRIPS.
3. JOINT UTILITY TRENCHES CONTAINING DIRECT BURIAL CABLE SHALL BE LOCATED BEHIND THE BACK OF WALK.
4. ADD 10' TO STREET AND RIGHT OF WAY WIDTH WHERE BICYCLE LANES ARE TO BE PROVIDED.
5. LIME OR CEMENT TREATMENT OF THE TOP 12" OF THE SUBGRADE SHALL BE REQUIRED WHERE THE "R" VALUE IS 20 OR LESS.

COUNTY OF YOLO PLANNING AND PUBLIC WORKS DEPARTMENT	DATE: 08/05/08
PRIMARY RESIDENTIAL	SHEET # 1 OF 1
<i>James Kallas</i> COUNTY ENGINEER No. C42401	DRAWING #: 4-3 NOT TO SCALE
28 Aug. 08 APPROVAL DATE	



MONOLITHIC CURB, GUTTER AND SIDEWALK OPTION PLANTER STRIP OPTION

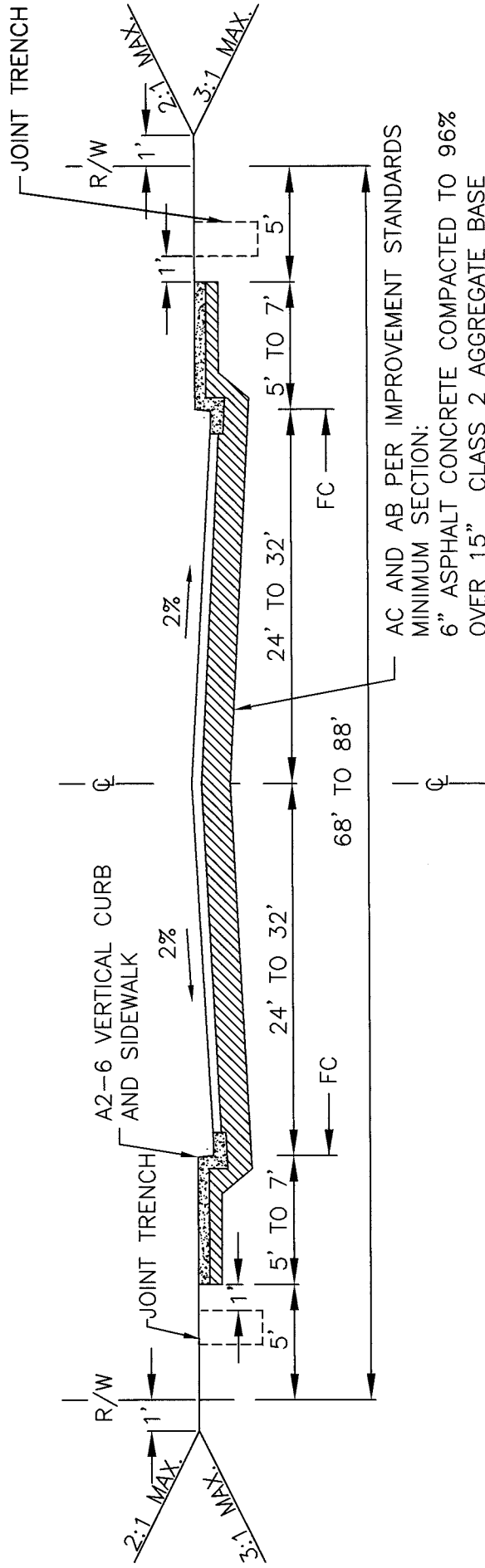
COLLECTOR

T.I. = 7.0 (MINIMUM)

NOTES:

1. LANDSCAPING WITHIN ROAD RIGHT OF WAY SHALL BE MAINTAINED BY ADJACENT PROPERTY OWNER.
2. REFER TO APPROVED PLANTING LIST FOR TREE SPECIES ALLOWED IN PLANTER STRIPS.
3. JOINT UTILITY TRENCHES CONTAINING DIRECT BURIAL CABLES SHALL BE LOCATED BEHIND THE BACK OF WALK.
4. ADD 10' TO STREET AND RIGHT OF WAY WIDTH WHERE BICYCLE LANES ARE TO BE PROVIDED.
5. STREET AND SIDEWALK WIDTHS SHALL BE DETERMINED BY THE COUNTY ENGINEER.
6. LIME OR CEMENT TREATMENT OF THE TOP 12" OF THE SUBGRADE SHALL BE REQUIRED WHERE THE "R" VALUE IS 20 OR LESS.

PLANNING AND PUBLIC WORKS DEPARTMENT	DATE:	08/05/08
	SHEET #	1 OF 1
COLLECTOR	DRAWING #:	4-4
<i>James Kallas</i>	APPROVAL DATE	28 AUG 08
COUNTY ENGINEER No. C42401		NOT TO SCALE



AC AND AB PER IMPROVEMENT STANDARDS
 MINIMUM SECTION:
 6" ASPHALT CONCRETE COMPACTED TO 96%
 OVER 15" CLASS 2 AGGREGATE BASE
 COMPACTED TO 95% OVER 8" NATIVE
 SUBGRADE COMPACTED TO 95%

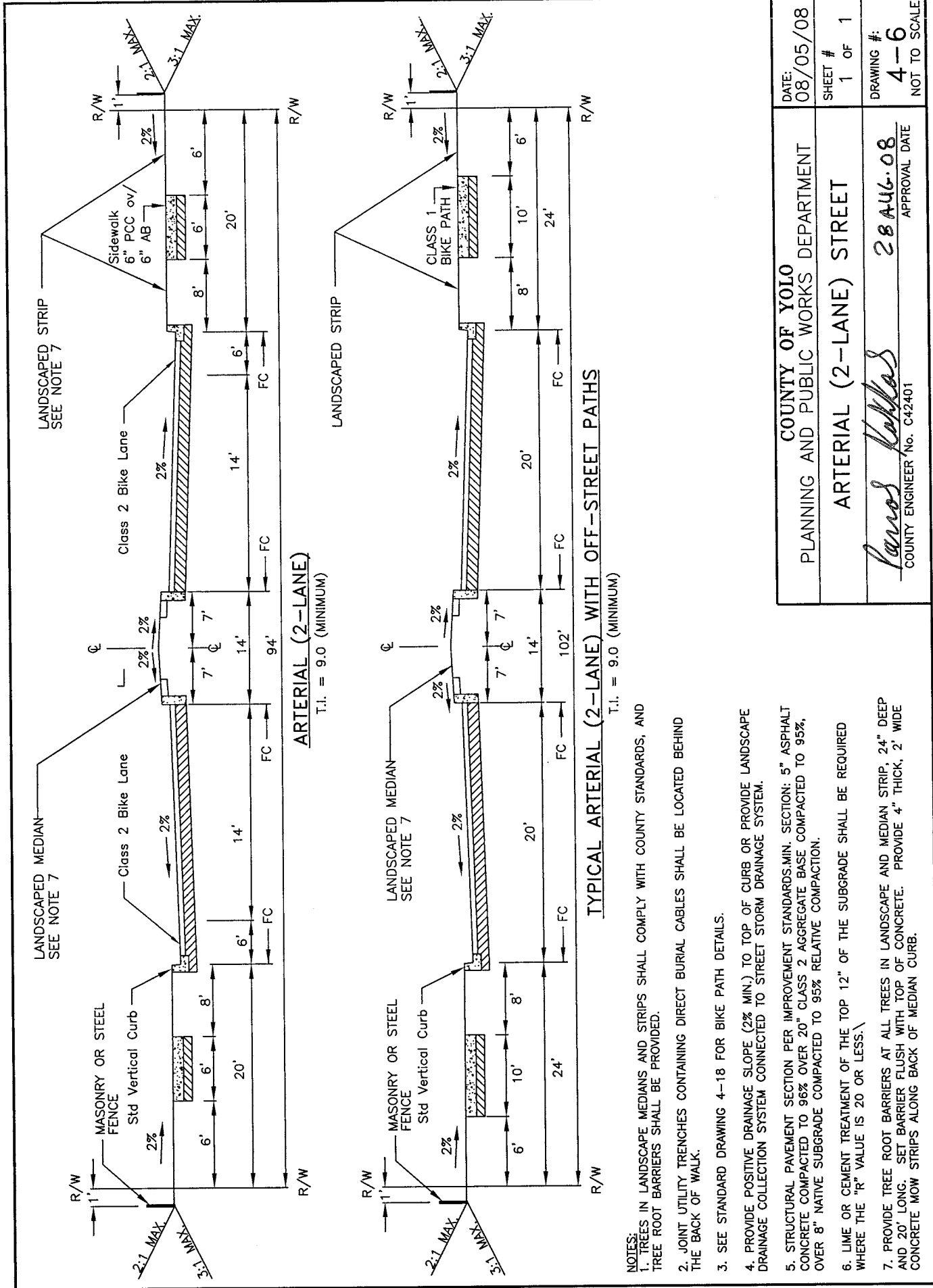
INDUSTRIAL STREET

INDUSTRIAL: T.I. = 9 (MINIMUM)

NOTES:

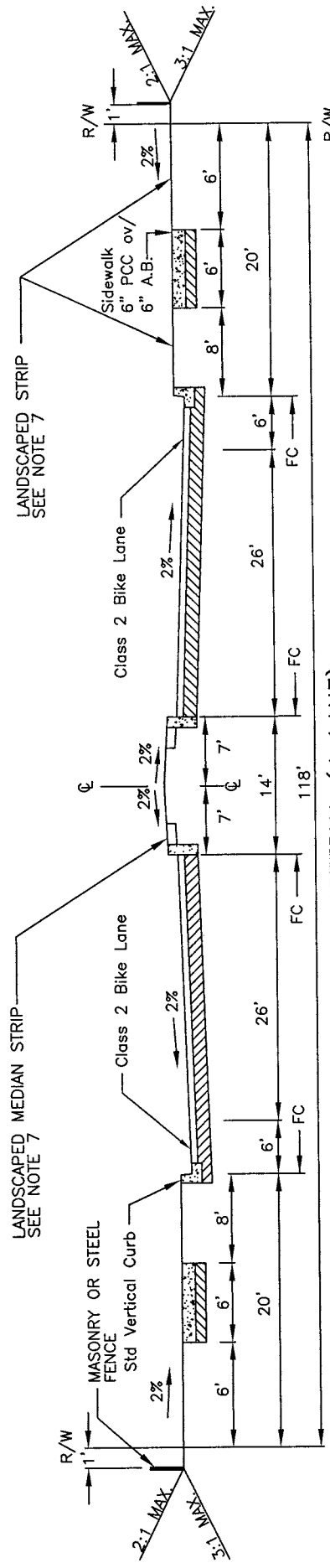
1. LANDSCAPING WITHIN ROAD RIGHT OF WAY SHALL BE MAINTAINED BY ADJACENT PROPERTY OWNER.
2. JOINT UTILITY TRENCHES CONTAINING DIRECT BURIAL CABLES SHALL BE LOCATED BEHIND THE BACK OF WALK.
3. ADD 10' TO STREET AND RIGHT OF WAY WIDTH WHERE BICYCLE LANES ARE TO BE PROVIDED.
4. STREET AND SIDEWALK WIDTHS SHALL BE DETERMINED BY THE COUNTY ENGINEER.
5. LIME OR CEMENT TREATMENT OF THE TOP 12" OF THE SUBGRADE SHALL BE REQUIRED WHERE THE "R" VALUE IS 20 OR LESS.

COUNTY OF YOLO PLANNING AND PUBLIC WORKS DEPARTMENT	DATE: 08/05/08
INDUSTRIAL STREET	SHEET # 1 OF 1
<i>Panos Kollas</i> COUNTY ENGINEER No. C42401	DRAWING #: 4-5 NOT TO SCALE
<i>28 Aug 08</i> APPROVAL DATE	



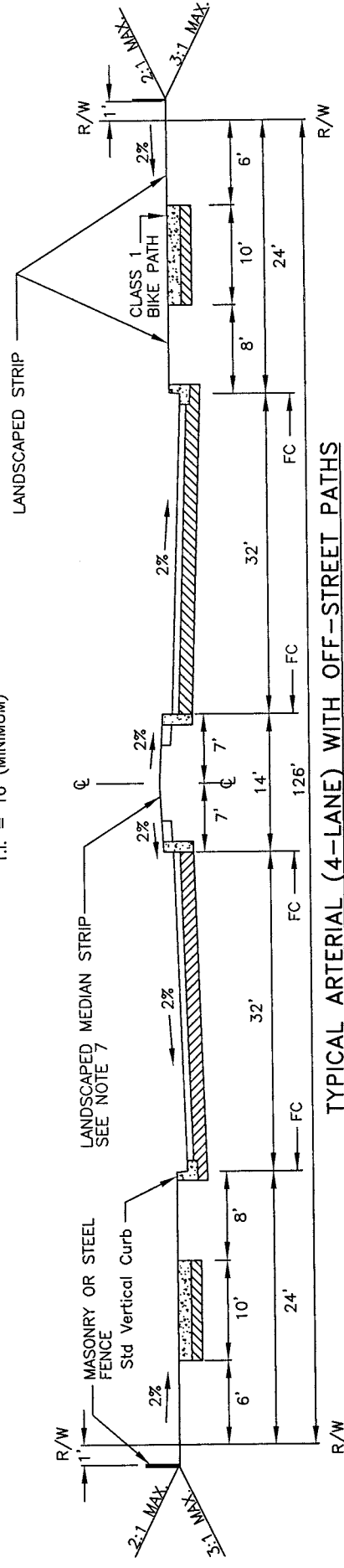
- NOTES:**
- TREES IN LANDSCAPE MEDIANS AND STRIPS SHALL COMPLY WITH COUNTY STANDARDS, AND TREE ROOT BARRIERS SHALL BE PROVIDED.
 - JOINT UTILITY TRENCHES CONTAINING DIRECT BURIAL CABLES SHALL BE LOCATED BEHIND THE BACK OF WALK.
 - SEE STANDARD DRAWING 4-18 FOR BIKE PATH DETAILS.
 - PROVIDE POSITIVE DRAINAGE SLOPE (2% MIN.) TO TOP OF CURB OR PROVIDE LANDSCAPE DRAINAGE COLLECTION SYSTEM CONNECTED TO STREET STORM DRAINAGE SYSTEM.
 - STRUCTURAL PAVEMENT SECTION PER IMPROVEMENT STANDARDS. MIN. SECTION: 5" ASPHALT CONCRETE COMPACTED TO 96% OVER 20" CLASS 2 AGGREGATE BASE COMPACTED TO 95%, OVER 8" NATIVE SUBGRADE COMPACTED TO 95% RELATIVE COMPACTION.
 - LIME OR CEMENT TREATMENT OF THE TOP 12" OF THE SUBGRADE SHALL BE REQUIRED WHERE THE "R" VALUE IS 20 OR LESS.
 - PROVIDE TREE ROOT BARRIERS AT ALL TREES IN LANDSCAPE AND MEDIAN STRIP, 24" DEEP AND 20' LONG. SET BARRIER FLUSH WITH TOP OF CONCRETE. PROVIDE 4" THICK, 2' WIDE CONCRETE MOW STRIPS ALONG BACK OF MEDIAN CURB.

DATE:	08/05/08
SHEET #	1 OF 1
DRAWING #:	4-6
NOT TO SCALE	
COUNTY OF YOLO PLANNING AND PUBLIC WORKS DEPARTMENT	
ARTERIAL (2-LANE) STREET	
<i>Carlos Vallas</i> COUNTY ENGINEER No. C42401	28 AUG 08 APPROVAL DATE



ARTERIAL (4-LANE)

T.I. = 10 (MINIMUM)

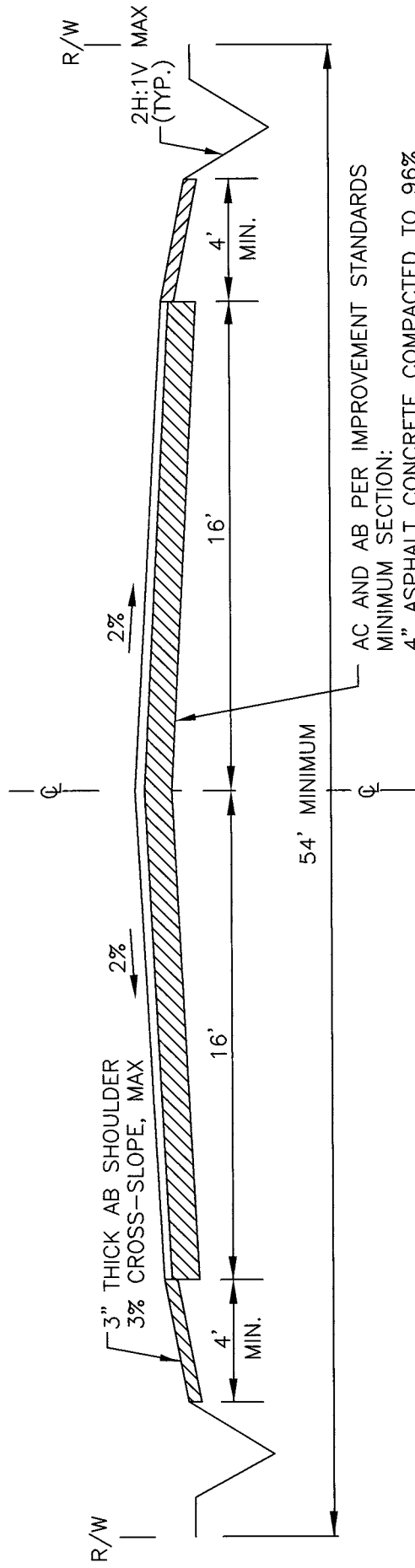


TYPICAL ARTERIAL (4-LANE) WITH OFF-STREET PATHS

T.I. = 10 (MINIMUM)

- NOTES:**
- TREES IN LANDSCAPE MEDIANS AND STRIPS SHALL COMPLY WITH COUNTY STANDARDS, AND TREE ROOT BARRIERS SHALL BE PROVIDED.
 - JOINT UTILITY TRENCHES CONTAINING DIRECT BURIAL CABLES SHALL BE LOCATED BEHIND THE BACK OF WALK.
 - SEE STANDARD DRAWING 4-18 FOR BIKE PATH DETAILS.
 - PROVIDE POSITIVE DRAINAGE SLOPE (2% MIN.) TO TOP OF CURB OR PROVIDE LANDSCAPE DRAINAGE COLLECTION SYSTEM CONNECTED TO STREET STORM DRAINAGE SYSTEM.
 - STRUCTURAL PAVEMENT SECTION PER IMPROVEMENT STANDARDS. MIN. SECTION: 5" ASPHALT CONCRETE COMPACTED TO 96% OVER 20" CLASS 2 AGGREGATE BASE COMPACTED TO 95%, OVER 8" NATIVE SUBGRADE COMPACTED TO 95% RELATIVE COMPACTION.
 - LIME OR CEMENT TREATMENT OF THE TOP 12" OF THE SUBGRADE SHALL BE REQUIRED WHERE THE "R" VALUE IS 20 OR LESS.
 - PROVIDE TREE ROOT BARRIERS AT ALL TREES IN LANDSCAPE AND MEDIAN STRIP, 24" DEEP AND 20' LONG. SET BARRIER FLUSH WITH TOP OF CONCRETE. PROVIDE 4" THICK, 2' WIDE CONCRETE MOW STRIPS ALONG BACK OF MEDIAN CURB.

COUNTY OF YOLO PLANNING AND PUBLIC WORKS DEPARTMENT		DATE: 08/05/08
ARTERIAL (4-LANE) STREET		SHEET # 1 OF 1
<i>Arnos Kallas</i> COUNTY ENGINEER No. C42401		DRAWING #: 4-7 NOT TO SCALE
28 AUG. 08 APPROVAL DATE		



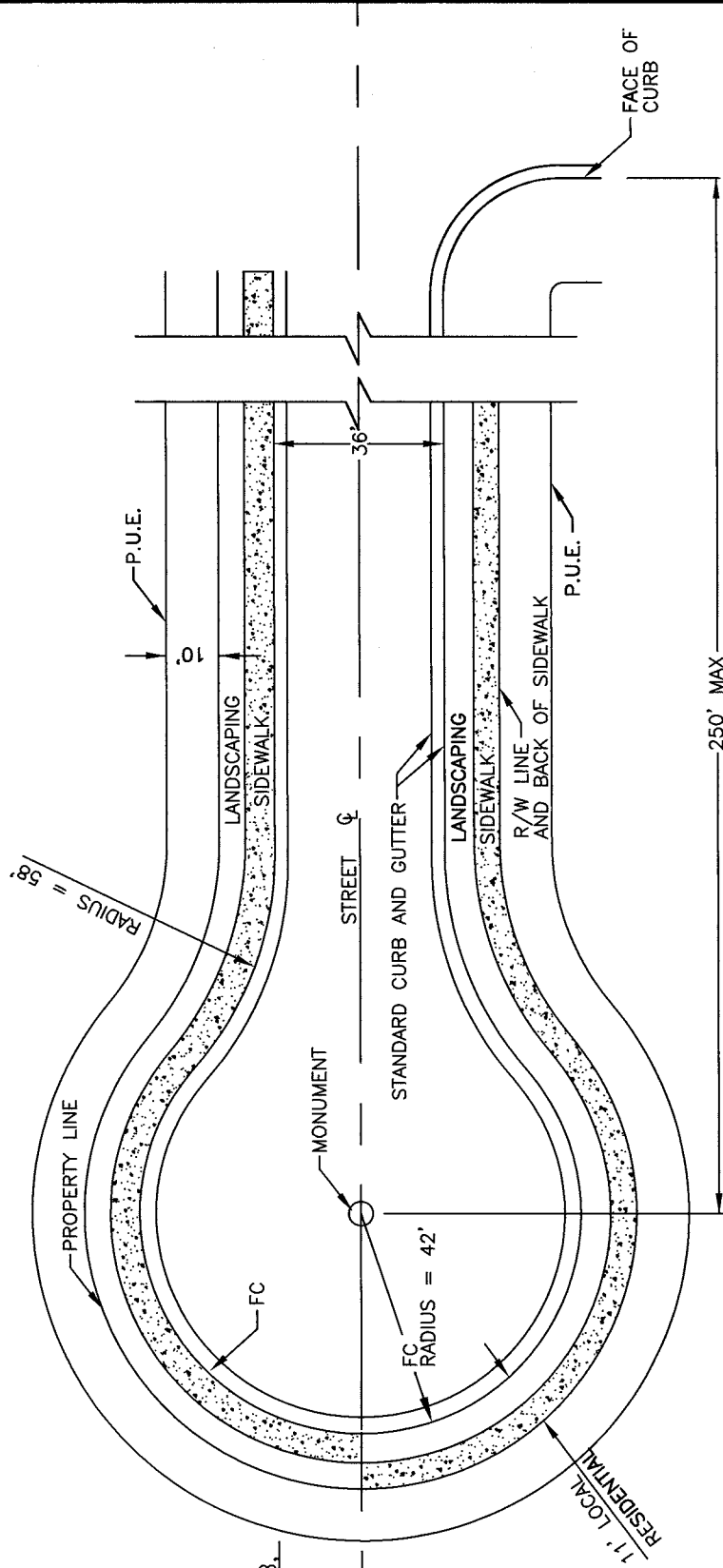
AC AND AB PER IMPROVEMENT STANDARDS
 MINIMUM SECTION:
 4" ASPHALT CONCRETE COMPACTED TO 96%
 OVER 12" CLASS 2 AGGREGATE BASE
 COMPACTED TO 95% OVER 8" NATIVE
 SUBGRADE COMPACTED TO 95%.

RURAL STREET

NOTES:

1. MAXIMUM VELOCITY IN EARTHEN ROADSIDE DITCHES IS 4 FEET PER SECOND.
2. EROSION CONTROL DEVICES SHALL BE INSTALLED AS REQUIRED BY COUNTY ENGINEER.
3. ROADSIDE DITCHES SHALL BE SEEDED WITH APPROVED EROSION CONTROL SEED MIX.
4. DRIVEWAY APPROACHES SHALL BE CONSTRUCTED SO AS TO NOT IMPEDE DRAINAGE AWAY FROM THE ROAD.
5. MINIMUM RESIDENTIAL AND COMMERCIAL DRIVEWAY APPROACH SHALL CONSIST OF 3" ASPHALT CONCRETE OVER 8" CLASS 2 AGGREGATE BASE.
6. VEHICLE LANE WIDTH SHALL BE 11' MINIMUM. STRIPED IN ACCORDANCE WITH CALTRANS STANDARDS.

COUNTY OF YOLO PLANNING AND PUBLIC WORKS DEPARTMENT	DATE: 08/05/08
RURAL STREET	SHEET # 1 OF 1
<i>Ronald Kokkas</i> COUNTY ENGINEER No. C42401	DRAWING #: 4-8 NOT TO SCALE
<i>28 AUG 08</i> APPROVAL DATE	



MONOLITHIC CURB,
GUTTER AND
SIDEWALK OPTION

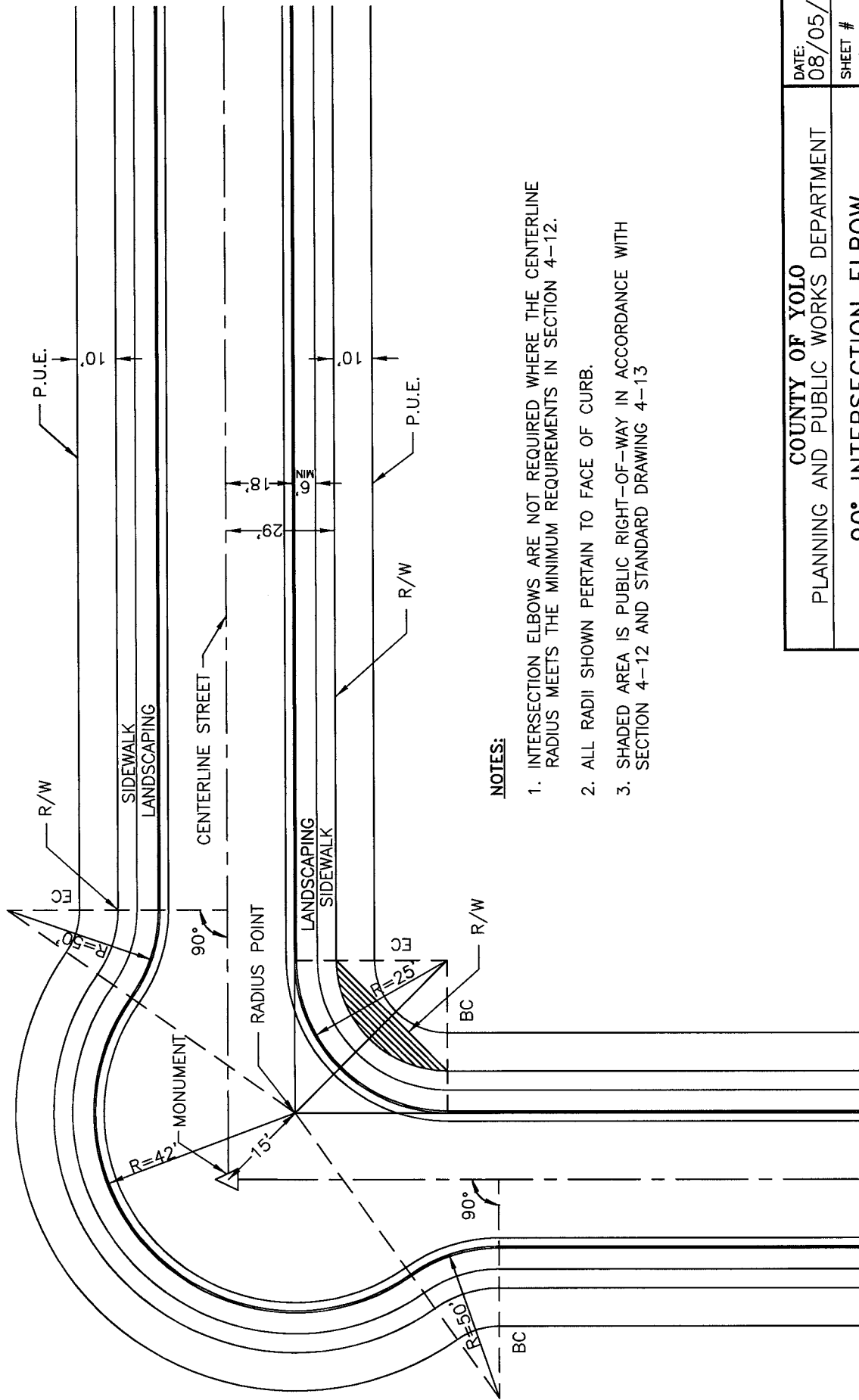
PLANTER STRIP
OPTION

T.I. = 6.5 (MINIMUM)

NOTES:

1. LANDSCAPING WITHIN ROAD RIGHT OF WAY SHALL BE MAINTAINED BY ADJACENT PROPERTY OWNER.
2. REFER TO APPROVED PLANTING LIST FOR TREE SPECIES ALLOWED IN PLANTER STRIPS.
3. W53 ("NOT A THROUGH STREET") SIGN MAY BE REQUIRED.
4. INCREASED STRUCTURAL SECTION REQUIRED IN CUL DE SAC.
5. FACE OF CURB RADIUS IS 50' FOR INDUSTRIAL STREETS.
6. INDUSTRIAL AND COMMERCIAL CUL-DE-SACS REVIEWED ON CASE BY CASE BASIS CONSIDERING TRUCK TRAFFIC.

COUNTY OF YOLO PLANNING AND PUBLIC WORKS DEPARTMENT	DATE: 08/05/08
RESIDENTIAL CUL DE SAC	SHEET # 1 OF 1
<i>James Koblas</i> COUNTY ENGINEER No. C42401	DRAWING #: 4-9 NOT TO SCALE
28 AUG. 08 APPROVAL DATE	

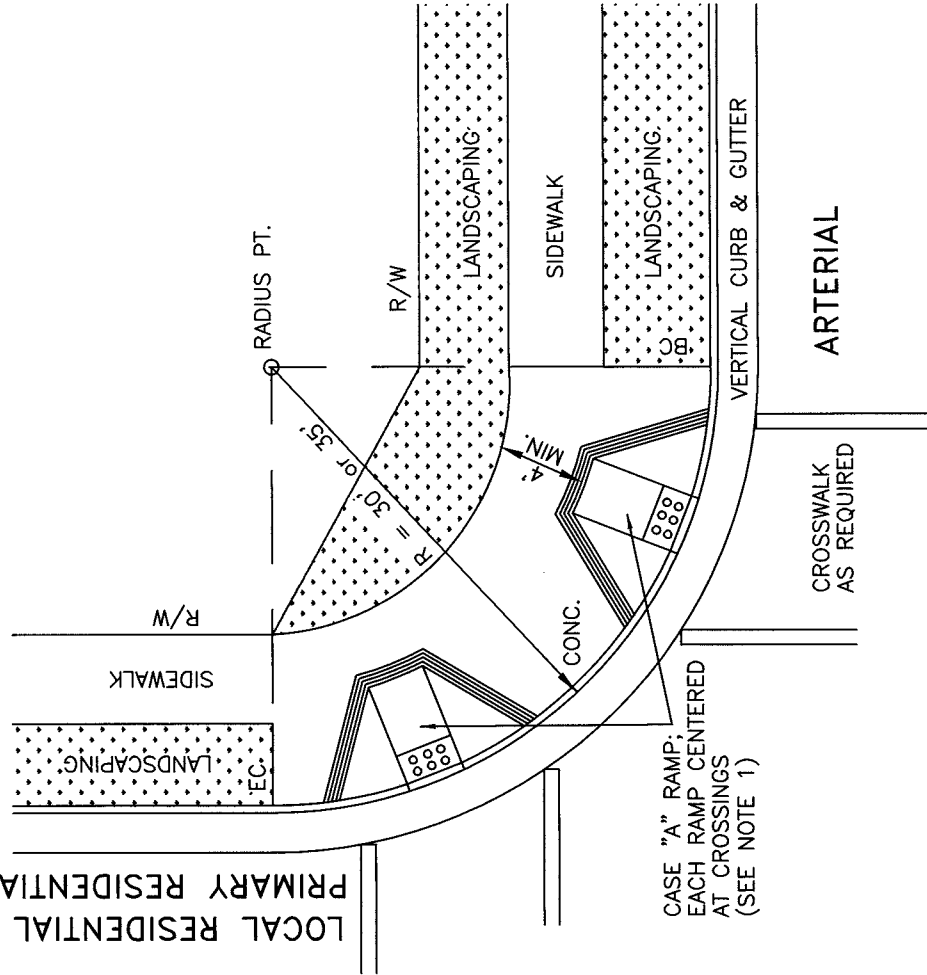


NOTES:

1. INTERSECTION ELBOWS ARE NOT REQUIRED WHERE THE CENTERLINE RADIUS MEETS THE MINIMUM REQUIREMENTS IN SECTION 4-12.
2. ALL RADII SHOWN PERTAIN TO FACE OF CURB.
3. SHADED AREA IS PUBLIC RIGHT-OF-WAY IN ACCORDANCE WITH SECTION 4-12 AND STANDARD DRAWING 4-13

COUNTY OF YOLO PLANNING AND PUBLIC WORKS DEPARTMENT	DATE: 08/05/08
90° INTERSECTION ELBOW	SHEET # 1 OF 1
<i>Carlos Kallas</i> COUNTY ENGINEER No. C42401	DRAWING #: 4-10 NOT TO SCALE
APPROVAL DATE 28 AUG. 08	

LOCAL RESIDENTIAL OR
PRIMARY RESIDENTIAL

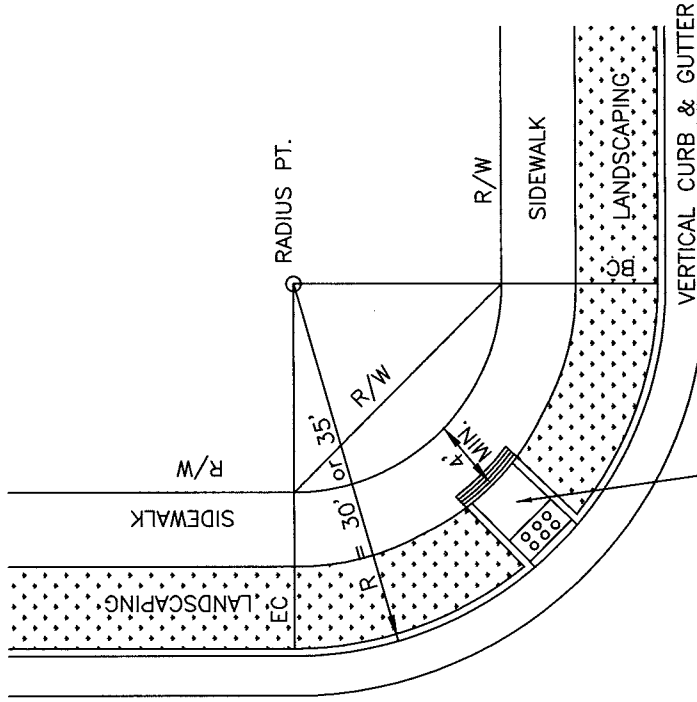


CASE "A" RAMP;
EACH RAMP CENTERED
AT CROSSINGS
(SEE NOTE 1)

CROSSWALK
AS REQUIRED

ARTERIAL

LOCAL RESIDENTIAL OR
PRIMARY RESIDENTIAL



CASE "F" RAMP;
CENTERED IN RETURN, DEPRESS SIDEWALK AS REQ'D
(SEE NOTE 2)

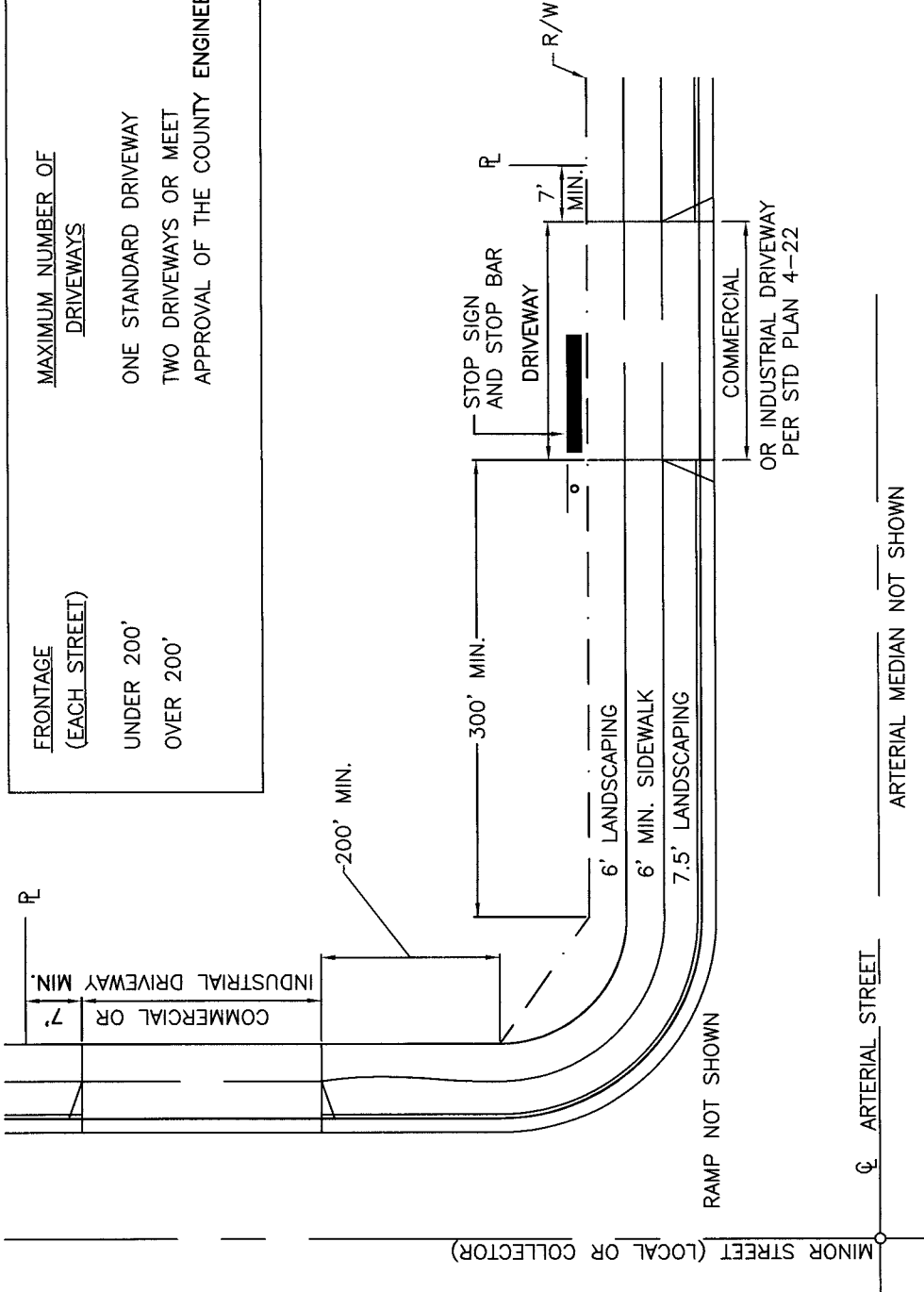
ARTERIAL

NOTES:

- FOR ADA RAMP DESIGNATIONS REFER TO CALTRANS STANDARD PLANS "CURB RAMP DETAILS" PLAN A88A, LATEST EDITION.
- USE CASE "C" WITH RETAINING CURB WHERE SIDEWALK IS INTEGRAL WITH CURB AND GUTTER.

COUNTY OF YOLO PLANNING AND PUBLIC WORKS DEPARTMENT	DATE: 08/05/08
CORNER LAYOUT FOR ARTERIAL INTERSECTIONS	SHEET # 1 OF 1
<i>Paros Kollas</i> COUNTY ENGINEER No. C42401	DRAWING #: 4-11 NOT TO SCALE
20 AUG. 08 APPROVAL DATE	

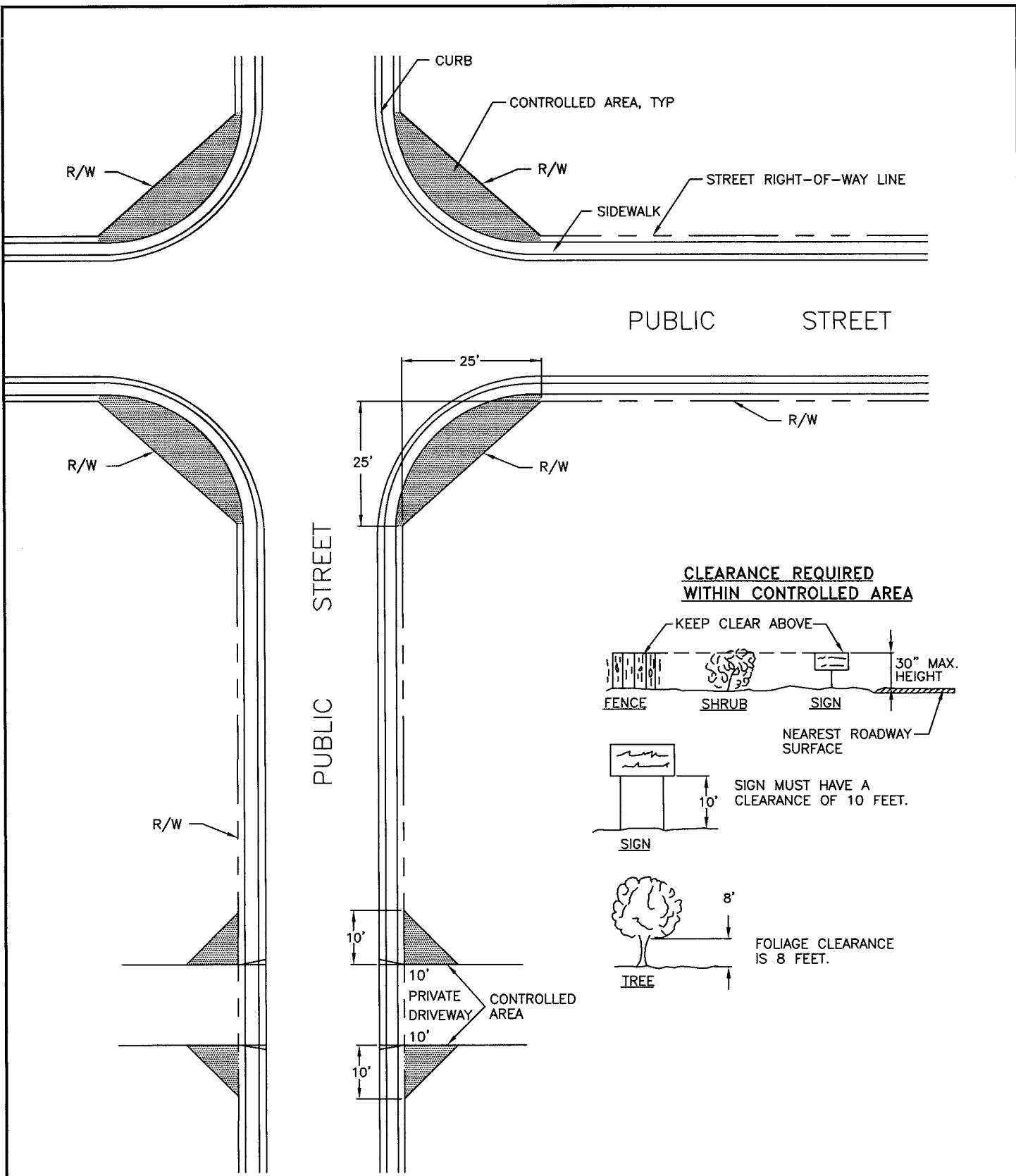
FRONTAGE (EACH STREET)	MAXIMUM NUMBER OF DRIVEWAYS
UNDER 200'	ONE STANDARD DRIVEWAY
OVER 200'	TWO DRIVEWAYS OR MEET APPROVAL OF THE COUNTY ENGINEER.



NOTE:

- DRIVEWAYS ON ARTERIAL STREETS SHALL HAVE A MINIMUM CLEAR SPACING OF 150 FEET. LESSER SPACING MAY BE APPROVED BY THE COUNTY ENGINEER FOR UNAVOIDABLE, EXTREME CONDITIONS, OR ON SMALL LOTS WHERE A MINIMUM OF ONE DRIVEWAY PER STREET FRONTAGE WILL BE PROVIDED.

COUNTY OF YOLO PLANNING AND PUBLIC WORKS DEPARTMENT	DATE: 08/05/08
COMMERCIAL FRONTAGE AND DRIVEWAY REGULATIONS	SHEET # 1 OF 1
<i>Parsons</i> COUNTY ENGINEER No. C42401	DRAWING #: 4-12 NOT TO SCALE
28 AUG 08 APPROVAL DATE	



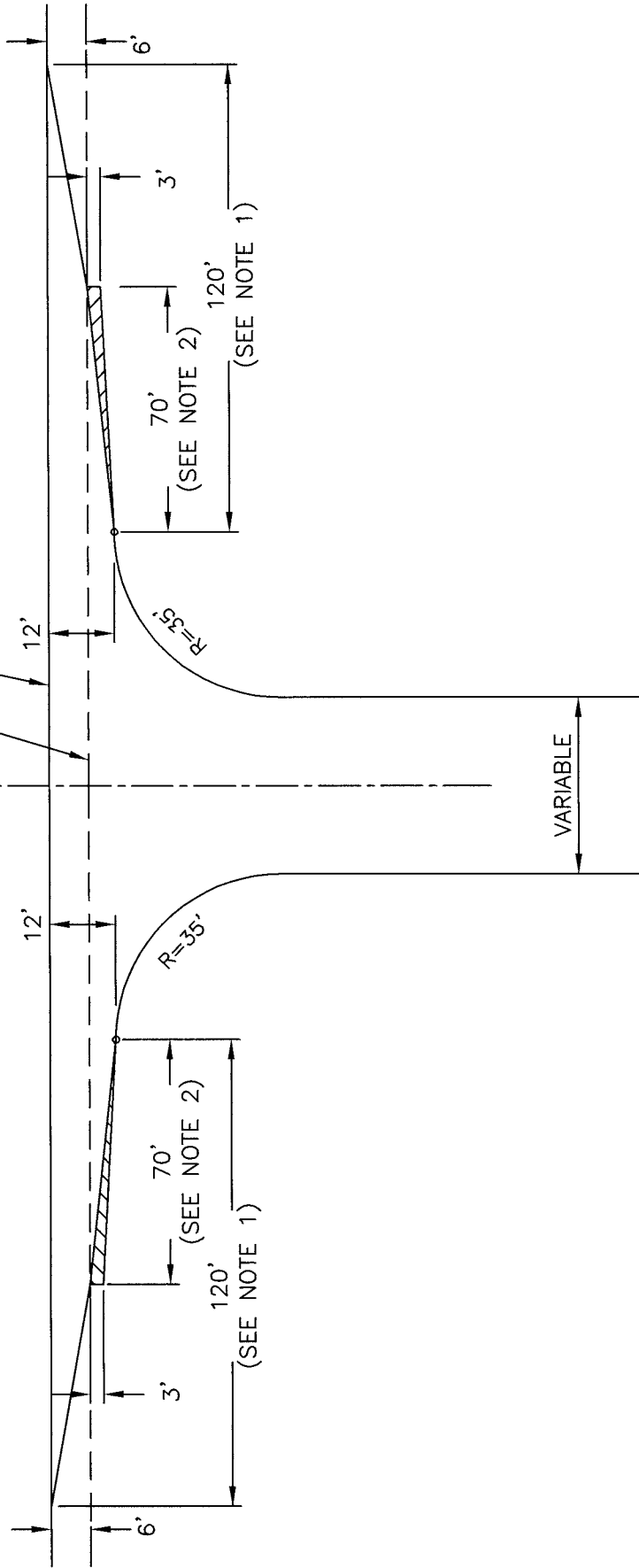
COUNTY OF YOLO PLANNING AND PUBLIC WORKS DEPARTMENT		DATE: 08/05/08
VISIBILITY REQUIREMENTS AT INTERSECTIONS AND DRIVEWAYS		SHEET # 1 OF 1
<i>Paros Kallas</i> COUNTY ENGINEER No. C42401		DRAWING #: 4-13 NOT TO SCALE
28 AUG. 08 APPROVAL DATE		

EXISTING EDGE OF PAVED SHOULDER

EDGE OF TRAVELLED WAY

ARTERIAL OR COLLECTOR

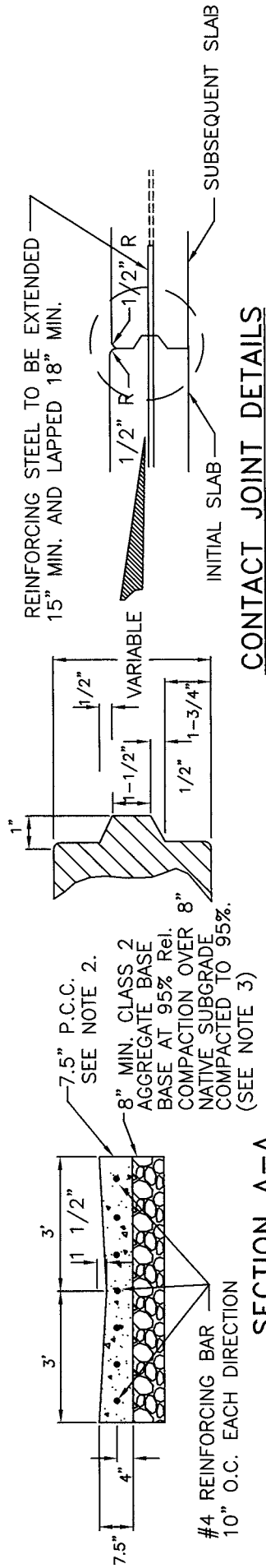
☉ OR LANE LINE



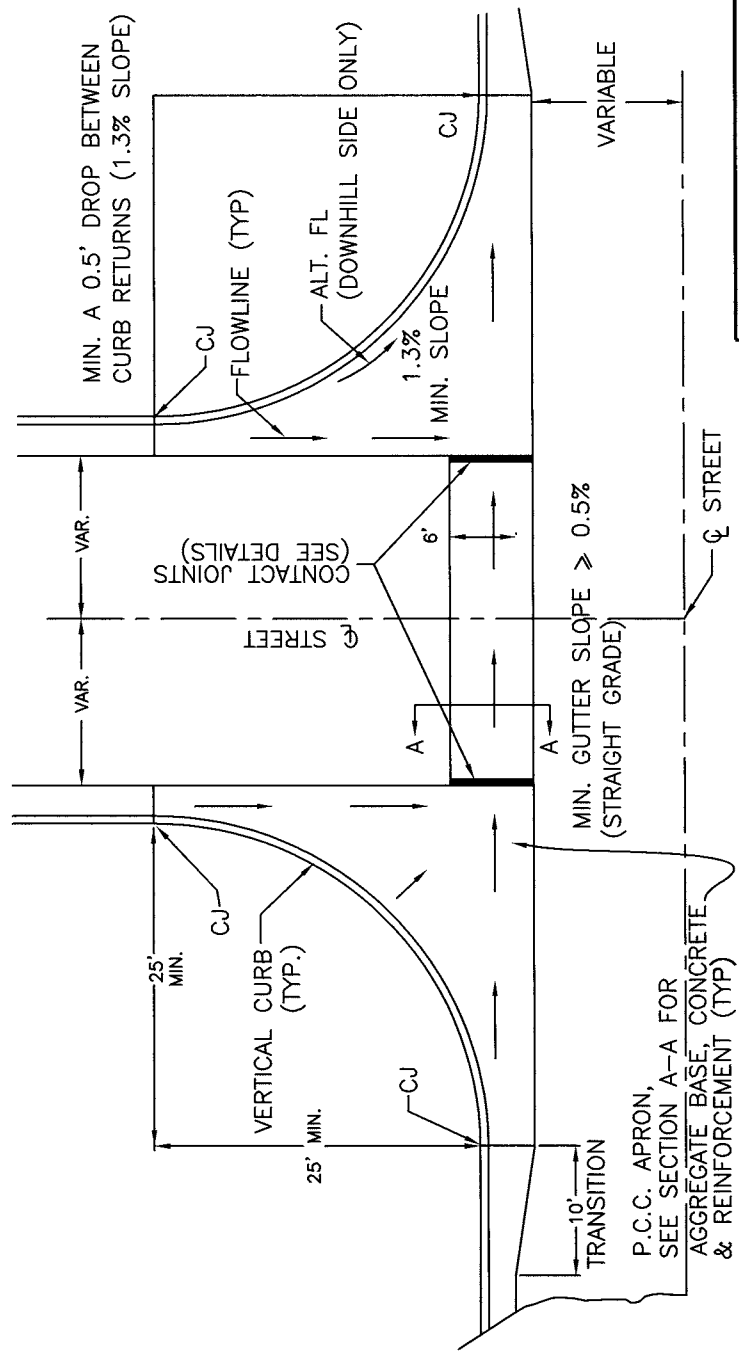
NOTES:

1. USE 120' PAVEMENT TAPER SECTION WHEN MAJOR STREET SHOULDER IS UNPAVED OR SEAL COATED.
2. USE 70' PAVEMENT TAPER SECTION WHEN MAJOR STREET SHOULDER IS FULLY PAVED.
3. FULL ROADBED STRUCTURAL SECTION TO BE PLACED IN ACCORDANCE WITH COUNTY STANDARDS FOR AREA TO BE PAVED.
4. PAVEMENT TAPER SECTION MAY BE DELETED ON LOCAL STREETS.

COUNTY OF YOLO PLANNING AND PUBLIC WORKS DEPARTMENT	DATE: 08/05/08
CLASS "C" STREET INTERSECTION	SHEET # 1 of 1
<i>Pauls Volker</i> COUNTY ENGINEER No. C42401	DRAWING #: 4-14 NOT TO SCALE
APPROVAL DATE 28 AUG. 08	



CONTACT JOINT DETAILS

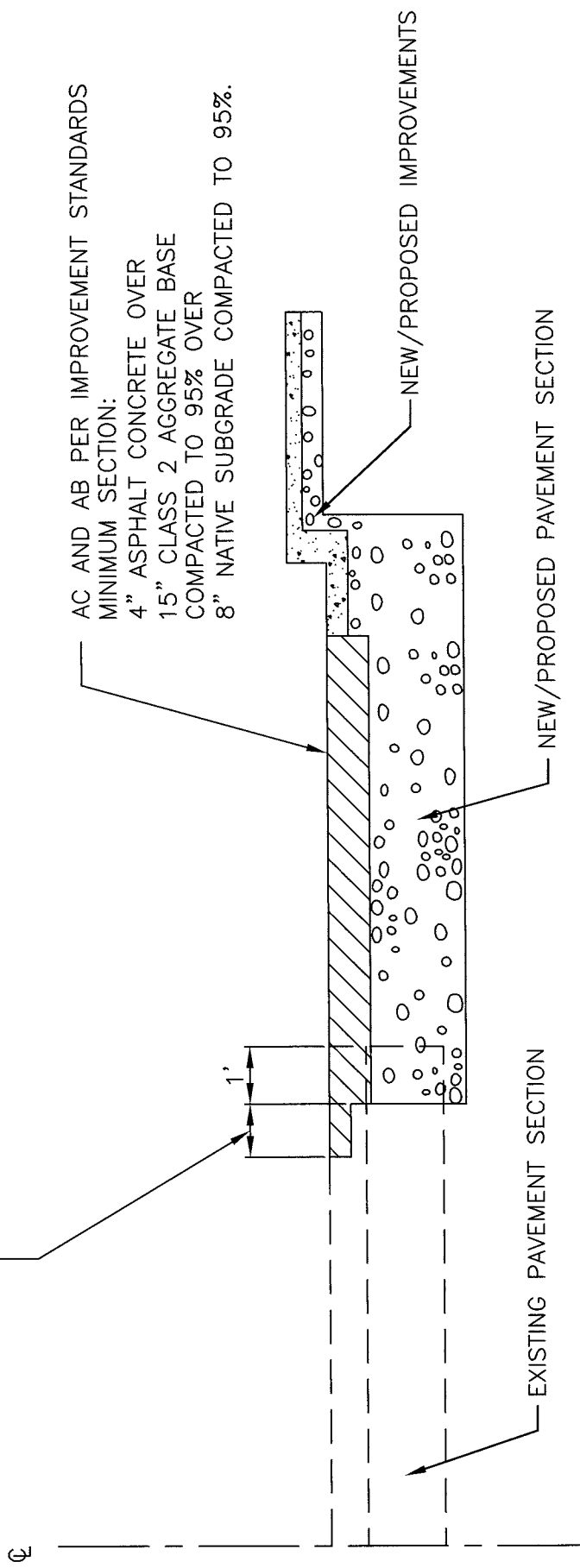


NOTES:

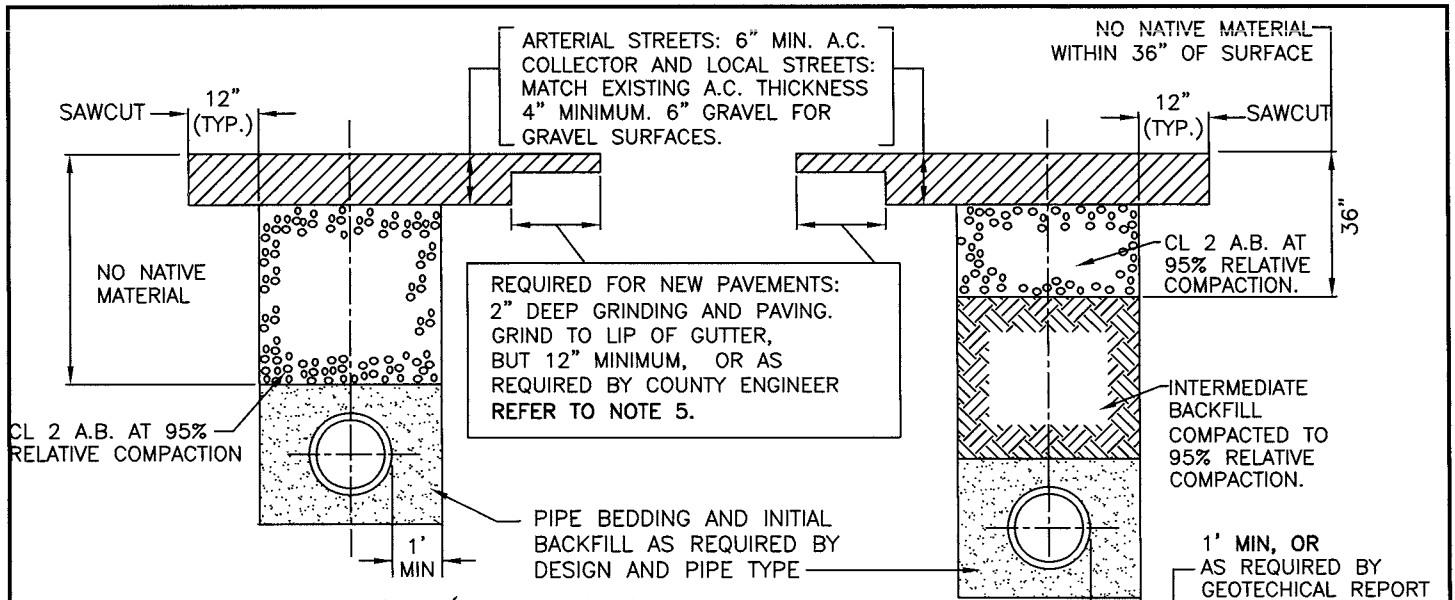
1. CONCRETE VALLEY GUTTERS ALLOWED ONLY IN RETROFIT AND SPECIAL SITUATIONS, WITH THE APPROVAL OF THE COUNTY ENGINEER.
2. ALL CONCRETE SHALL BE CLASS A, 6-SACK CONCRETE, WITH LIGHT BROOM FINISH.
3. 8" MIN. CLASS 2 AB TO BE PLACED UNDER CONCRETE PAVEMENT. AB SHALL EXTEND TO SUBGRADE OF DEEPEST ADJACENT STREET SECTION.
4. SIDEWALK AND RAMPS NOT SHOWN.
5. REINFORCING BAR SHALL BE SUPPORTED ON DOBIES.
6. SEE "CONTACT JOINT DETAILS" FOR CONSTRUCTION JOINTS IN PAVEMENT. OTHER CONSTRUCTION JOINTS SHALL BE MADE WITH 3' LONG, #4 BARS AT 12" O.C. PROVIDE TOOLED CRACK CONTROL JOINTS AT APPROXIMATELY 5' SPACING IN AN AESTHETICALLY PLEASING PATTERN.

COUNTY OF YOLO PLANNING AND PUBLIC WORKS DEPARTMENT	DATE: 08/05/08
CONCRETE VALLEY GUTTER	SHEET # 1 OF 1
<i>Pamela Kollas</i> COUNTY ENGINEER No. C42401	DRAWING #: 4-15 NOT TO SCALE
APPROVAL DATE 28 AUG. 08	

1 1/2" DEEP GRINDING AND PAVING. 12" MINIMUM.
 FOR NEW PAVEMENT (WITHIN 5 YEARS OF RESURFACING)
 GRIND TO OPPOSITE LIP OF GUTTER, OR AS REQUIRED
 BY COUNTY ENGINEER.

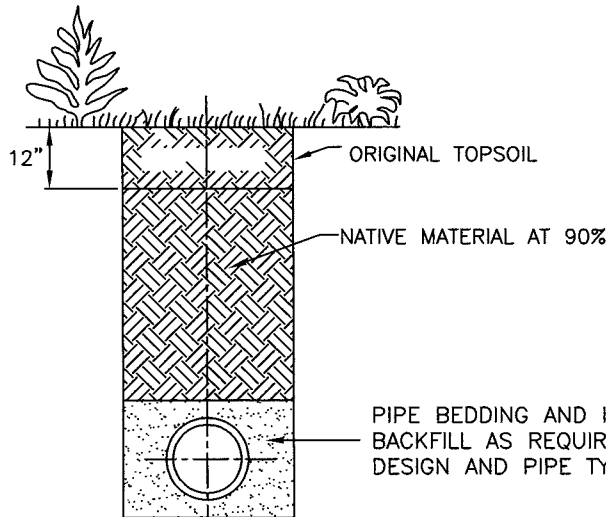


COUNTY OF YOLO PLANNING AND PUBLIC WORKS DEPARTMENT	DATE: 08/05/08
PAVEMENT WELDING DETAIL	SHEET # 1 OF 1
<i>Pamela Kollas</i> COUNTY ENGINEER No. C42401	DRAWING #: 4-16 NOT TO SCALE
APPROVAL DATE 28 AUG. 08	

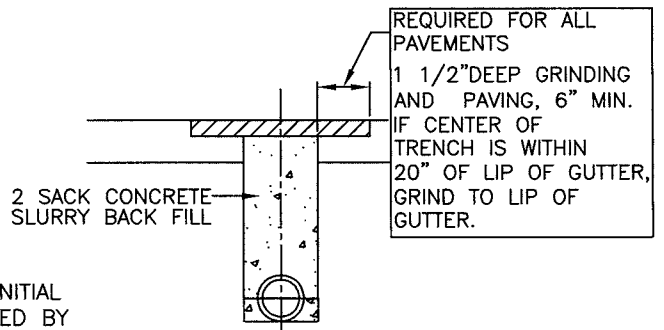


SHALLOW TRENCH (LESS THAN 4 FEET COVER) IN EXISTING PAVEMENT OR GRAVEL SURFACES

DEEP TRENCH (4 FEET OR MORE COVER) IN EXISTING PAVED AREAS AND OTHER TRENCHING



HORTICULTURE LAWN, OR CULTIVATED AREAS (MORE THAN 6' FROM PAVEMENTS OR CONCRETE FLATWORK).

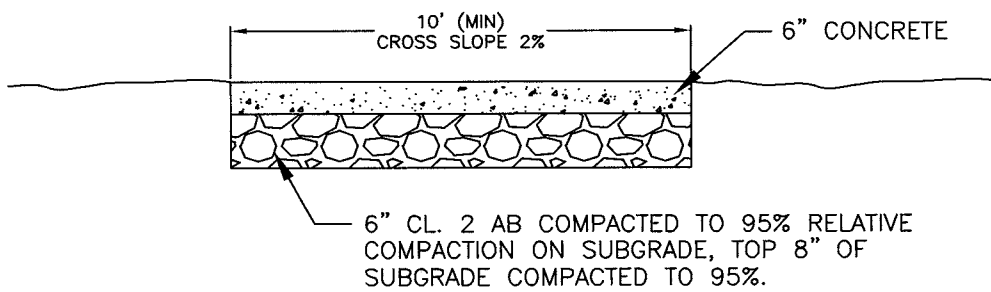


EARTH SAW TRENCH SECTION

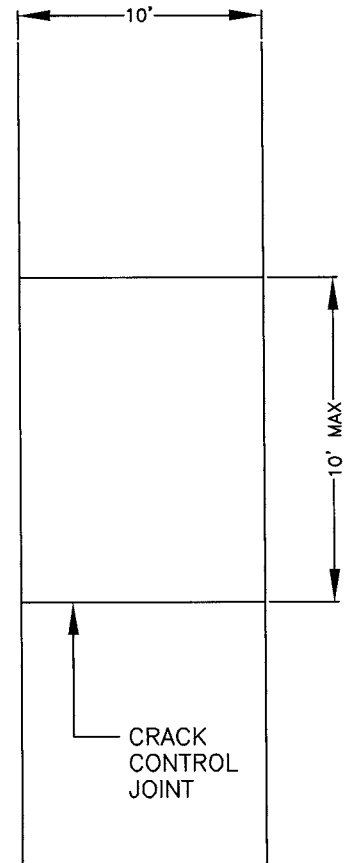
NOTES:

1. TACK COAT ALL EXPOSED EDGES OF ASPHALT CONCRETE PATCH.
2. TRENCHING WITHIN 6' OF ASPHALT CONCRETE OR CONCRETE SURFACES SHALL BE CONSIDERED WITHIN EXISTING PAVEMENT FOR THE PURPOSE OF DETERMINING BACKFILL COMPACTION.
3. FINAL COMPACTION TESTING SHALL BE PROVIDED BY CONTRACTOR AND DEMONSTRATE COMPLIANCE WITH SPECIFIED COMPACTION.
4. 2-SACK CEMENT SLURRY MAY BE SUBSTITUTED FOR ANY BACKFILL.
5. IF EDGE OF "T" CUT FALLS 24" OR LESS FROM LIP OF GUTTER OR FROM THE EDGE OF AN EXISTING TRENCH PATCH, REMOVE AND REPLACE THE AC TO THE EDGE OF THE EXISTING PATCH, OR THE LIP OF GUTTER.

COUNTY OF YOLO PLANNING AND PUBLIC WORKS DEPARTMENT		DATE: 08/05/08
TRENCH SECTIONS IN IMPROVED AREAS		SHEET # 1 OF 1
<i>Panos Kakkas</i> COUNTY ENGINEER No. C42401	28 AUG. 08 APPROVAL DATE	DRAWING #: 4-17 NOT TO SCALE




CROSS SECTION

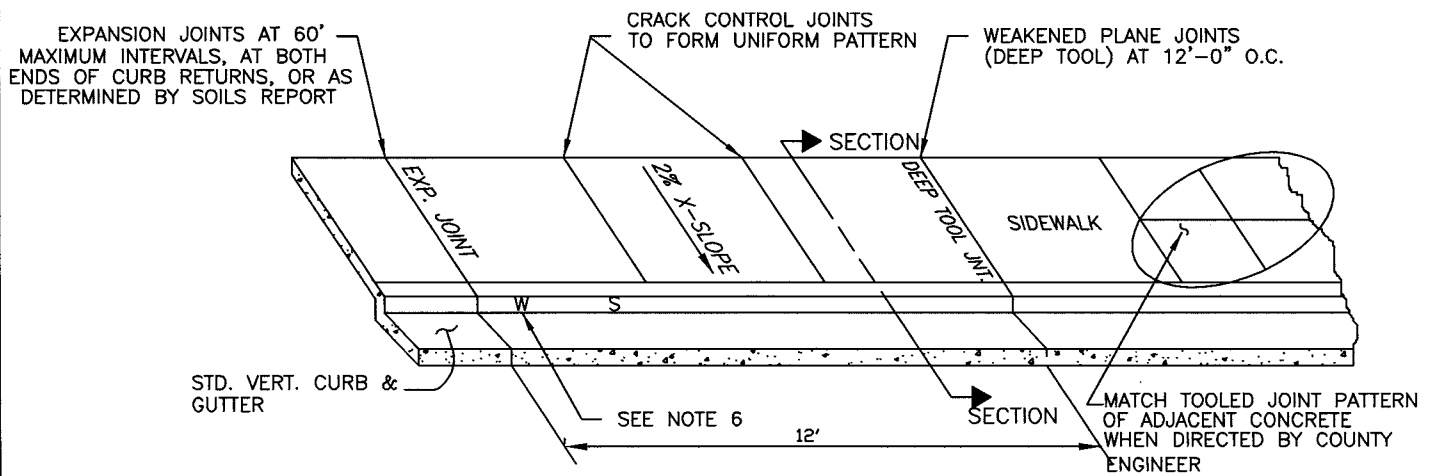


PLAN VIEW

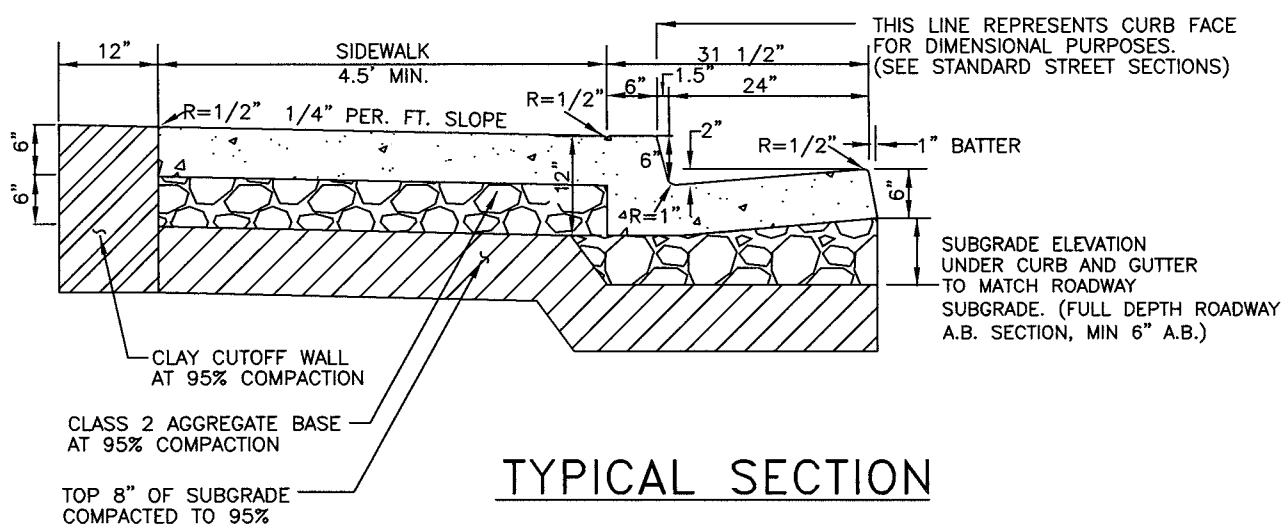
NOTES:

1. CONCRETE SHALL BE 6-SACK CLASS "A".
2. PROVIDE TRANSVERSE CRACK CONTROL JOINTS, 1" DEEP AT 10' SPACING, EXPANSION JOINTS AT 60' SPACING.
3. SURFACE FINISH SHALL BE TRANSVERSE MEDIUM BROOM FINISH.
4. APPLY CURING COMPOUND PER THE CALTRANS STANDARD SPECIFICATIONS.
5. THE PAVEMENT SECTION SHOWN IS THE MINIMUM REQUIRED. PAVEMENT STRUCTURAL SECTION SHALL BE BASED ON GEOTECHNICAL EVALUATION OF SOIL CONDITIONS, AND TI=5 TO ALLOW FOR MAINTENANCE VEHICLE LOADS.
6. REFER TO CALTRANS HIGHWAY DESIGN MANUAL FOR ADDITIONAL BIKE PATH DESIGN REQUIREMENTS.

COUNTY OF YOLO		DATE:
PLANNING AND PUBLIC WORKS DEPARTMENT		08/05/08
BIKE PATH - OFFSTREET		SHEET #
		1 OF 1
 COUNTY ENGINEER No. C42401	28 AUG. 08 APPROVAL DATE	DRAWING #:



PERSPECTIVE

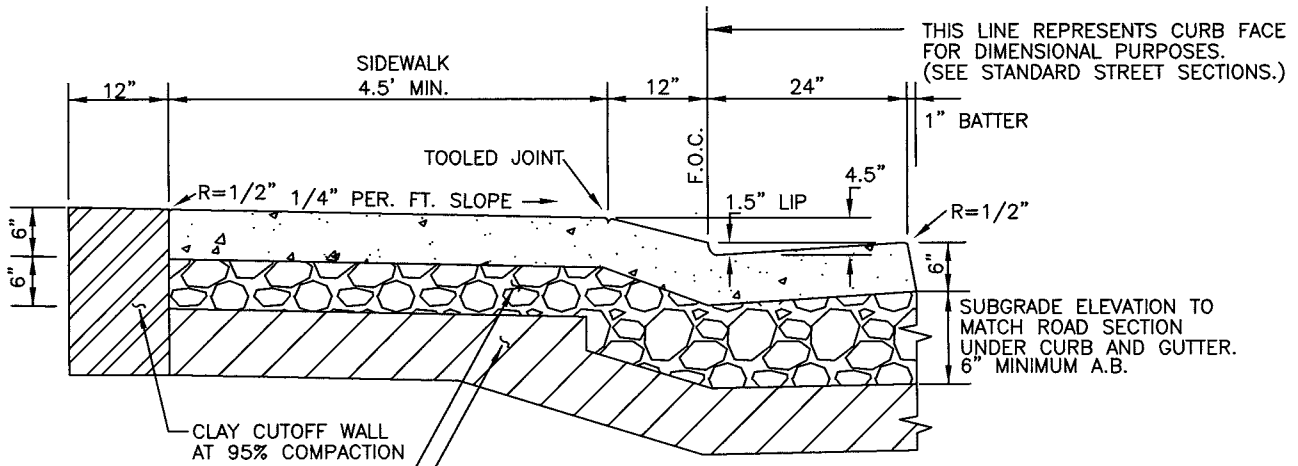


TYPICAL SECTION

NOTES:

1. CONCRETE SHALL BE CALTRANS CLASS A, 6-SACK, MIX DESIGN APPROVED BY COUNTY ENGINEER.
2. AGGREGATE BASE SHALL BE CALTRANS CLASS 2 AGGREGATE BASE MATERIAL APPROVED BY COUNTY ENGINEER.
3. SIDEWALK, CURB, AND GUTTER SHALL BE POURED MONOLITHICALLY.
4. COLD JOINTS SHALL BE DOWELED WITH 15" LONG #4 BARS AT 12" O.C.
5. EXPANSION JOINT SHALL BE 3/8" OR 1/2" THICK ASPHALT IMPREGNATED FELT.
6. SEWER AND WATER SERVICES SHALL BE ACCURATELY INDICATED WITH A 2" TALL "S" OR "W" LETTER STAMPED IN THE FACE OF THE CURB.
7. ALL EXPOSED CONCRETE EDGES SHALL HAVE 1/2" TOOLED RADIUS.
8. APPLY LIGHT BROOM FINISH TO SURFACE OF WALK PERPENDICULAR TO THE LENGTH OF THE SIDEWALK.
9. SIDEWALK WIDTHS SHALL AS BE SHOWN ON THE PLANS, BUT IN NO CASE LESS THAN 4.5' WIDE.
10. UNLESS OTHERWISE SHOWN, PROVIDE A 6' LONG TRANSITION TO CONNECT TO OTHER CURB TYPES.
11. SEE STANDARD COMMERCIAL DRIVEWAY DETAIL FOR COMMERCIAL DRIVEWAY REINFORCEMENT.
12. ALL AREAS OF CONCRETE EXHIBITING VISIBLE CRACKING OUTSIDE THE LIMITS OF TOOLED JOINT LINES SHALL BE REPLACED BY SAW CUTTING ALONG THE NEAREST TOOL JOINT AND REPLACING ALL THE CRACKED PANELS.

COUNTY OF YOLO		DATE:
PLANNING AND PUBLIC WORKS DEPARTMENT		08/05/08
A2-6 VERTICAL CURB AND GUTTER		SHEET #
		1 OF 1
<i>Parros Kalkas</i>		DRAWING #:
COUNTY ENGINEER No. C42401		4-19
28 AUG 08		NOT TO SCALE
APPROVAL DATE		



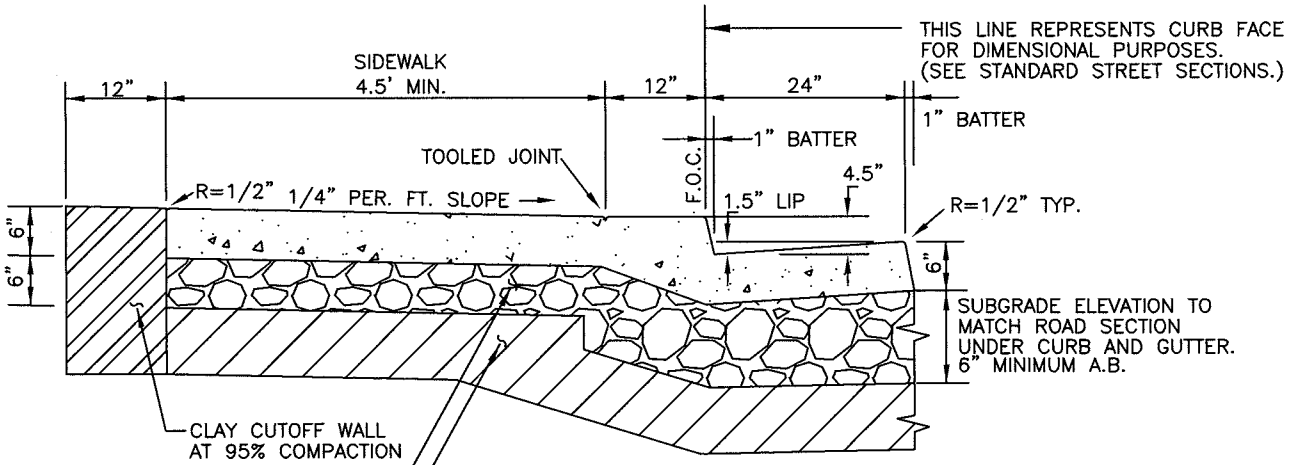
CLAY CUTOFF WALL
AT 95% COMPACTION

CLASS 2 AGGREGATE BASE
AT 95% COMPACTION

TOP 8" OF SUBGRADE
COMPACTED TO 95%

TYPICAL SIDEWALK SECTION

REQUIRES SPECIAL APPROVAL BY COUNTY ENGINEER.



CLAY CUTOFF WALL
AT 95% COMPACTION

CLASS 2 AGGREGATE BASE
AT 95% COMPACTION

TOP 8" OF SUBGRADE
COMPACTED TO 95%

TYPICAL CURB RETURN SECTION

NOTES:

1. LOW PROFILE CURB AND GUTTER REQUIRES THE COUNTY ENGINEER'S APPROVAL ON A CASE BY CASE BASIS.
2. CONCRETE SHALL BE CALTRANS CLASS A, 6-SACK, MIX DESIGN APPROVED BY COUNTY ENGINEER.
3. AGGREGATE BASE SHALL BE CALTRANS CLASS 2 AGGREGATE BASE MATERIAL APPROVED BY COUNTY ENGINEER.
4. SIDEWALK, CURB, AND GUTTER SHALL BE POURED MONOLITHICALLY.
5. COLD JOINTS SHALL BE DOWELED WITH #4 BARS AT 12" O.C.
6. PROVIDE EXPANSION JOINTS AT 60' INTERVALS, DEEP TOOLED WEAKENED PLANE JOINTS AT 12' SPACING, AND CRACK CONTROL JOINTS AT 4' SPACING.
7. EXPANSION JOINTS SHALL BE 3/8" OR 1/2" THICK ASPHALT IMPREGNATED FELT.
8. SEWER AND WATER SERVICES SHALL BE ACCURATELY INDICATED WITH A 2" TALL "S" OR "W" LETTER STAMPED IN CONCRETE.
9. ALL EXPOSED CONCRETE EDGES SHALL HAVE 1/2" TOOLED RADIUS.
10. APPLY LIGHT BROOM FINISH TO SURFACE OF WALK PERPENDICULAR TO THE LENGTH OF THE SIDEWALK.
11. SIDEWALK WIDTHS SHALL AS BE SHOWN ON THE PLANS, BUT IN NO CASE LESS THAN 4.5' WIDE.
12. UNLESS OTHERWISE SHOWN, PROVIDE A 6' LONG TRANSITION TO CONNECT TO OTHER CURB TYPES.
13. ALL AREAS OF CONCRETE EXHIBITING VISIBLE CRACKING OUTSIDE THE LIMITS OF TOOLED JOINT LINES SHALL BE REPLACED BY SAW CUTTING ALONG THE NEAREST TOOL JOINT AND REPLACING ALL THE CRACKED PANELS.

COUNTY OF YOLO
PLANNING AND PUBLIC WORKS DEPARTMENT

DATE:
08/05/08

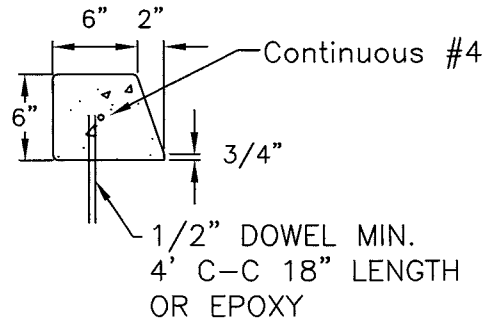
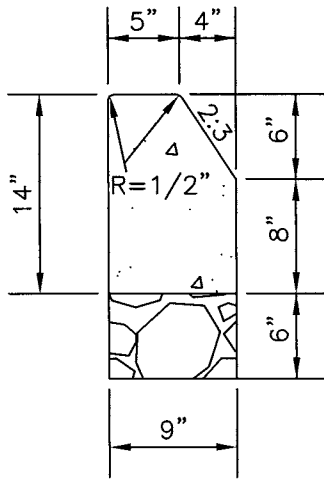
LOW PROFILE CURB AND GUTTER

SHEET #
1 OF 1

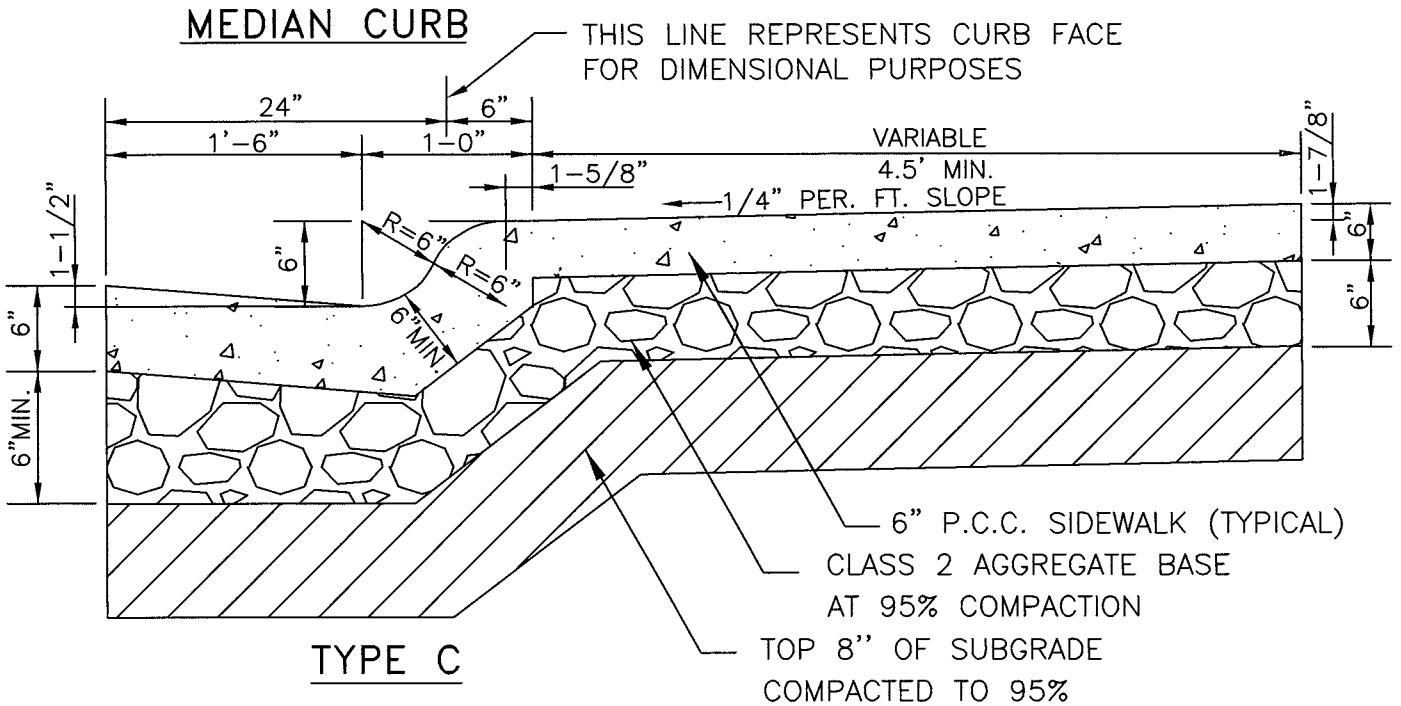
Panos Kollas
COUNTY ENGINEER No. C42401

28 AUG. 08
APPROVAL DATE

DRAWING #:
4-20
NOT TO SCALE



**MEDIAN CURB
RETROFIT ONLY**



TYPE C
USED ONLY TO MATCH EXISTING AND
REQUIRES COUNTY ENGINEER APPROVAL

NOTES:

1. CONCRETE SHALL BE CALTRANS CLASS A, 6-SACK, MIX DESIGN APPROVED BY THE COUNTY ENGINEER.
2. AGGREGATE BASE SHALL BE CALTRANS CLASS 2 AGGREGATE BASE MATERIAL APPROVED BY THE COUNTY ENGINEER.
3. SIDEWALK, CURB, AND GUTTER SHALL BE POURED MONOLITHICALLY.
4. COLD JOINTS SHALL BE DOWELED WITH 15" LONG #4 BARS AT 12" O.C.
5. EXPANSION JOINT SHALL BE 3/8" OR 1/2" THICK ASPHALT IMPREGNATED FELT.
6. SEWER AND WATER SERVICES SHALL BE ACCURATELY INDICATED WITH A 2" TALL "S" OR "W" LETTER STAMPED IN THE FACE OF THE CURB.
7. ALL EXPOSED CONCRETE EDGES SHALL HAVE 1/2" TOOLED RADIUS.
8. APPLY LIGHT BROOM FINISH TO SURFACE OF WALK PERPENDICULAR TO THE LENGTH OF THE SIDEWALK.
9. SIDEWALK WIDTHS SHALL AS BE SHOWN ON THE PLANS, BUT IN NO CASE LESS THAN 4.5' WIDE.
10. UNLESS OTHERWISE SHOWN, PROVIDE A 6' LONG TRANSITION TO CONNECT TO OTHER CURB TYPES.
11. SEE STANDARD COMMERCIAL DRIVEWAY DETAIL FOR COMMERCIAL DRIVEWAY REINFORCEMENT.

COUNTY OF YOLO		DATE:
PLANNING AND PUBLIC WORKS DEPARTMENT		08/05/08
CURBS		SHEET #
		1 OF 1
<i>Panos Kalkas</i>		DRAWING #:
COUNTY ENGINEER No. C42401	28 AUG. 08	4-21
	APPROVAL DATE	NOT TO SCALE

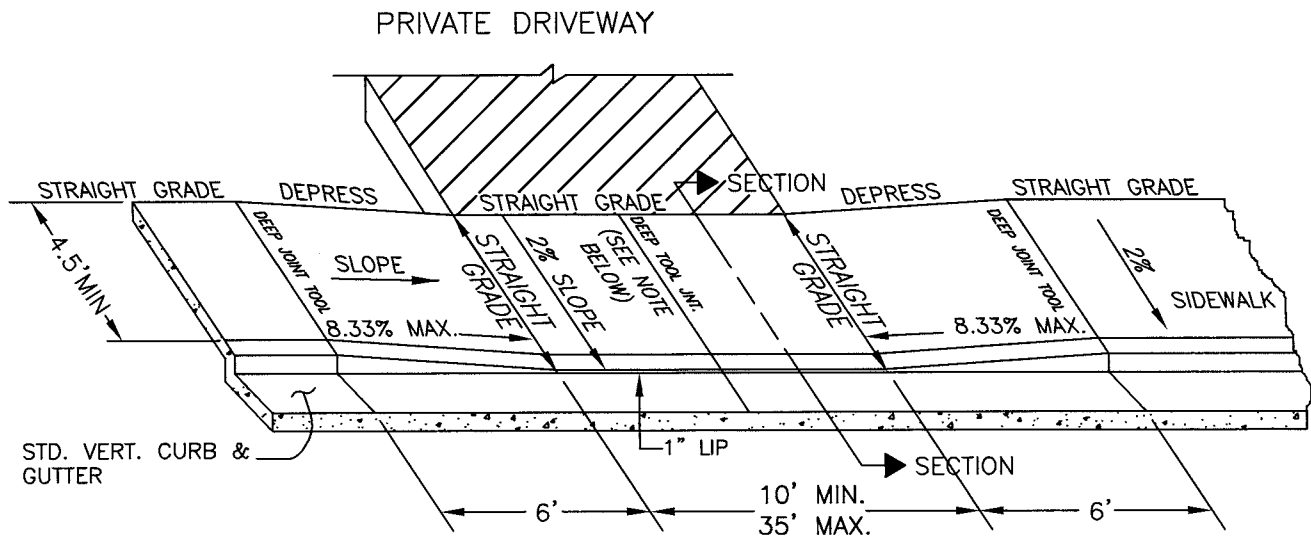
DRIVEWAY TYPES

<u>DRIVEWAY</u> LIGHT	<u>USAGE</u> <u>RESIDENTIAL</u>
MEDIUM	<u>COMMERCIAL OR MULTI-FAMILY (4 OR MORE DWELLING UNITS)</u>
HEAVY	<u>INDUSTRIAL, MAJOR SHOPPING CENTERS</u>

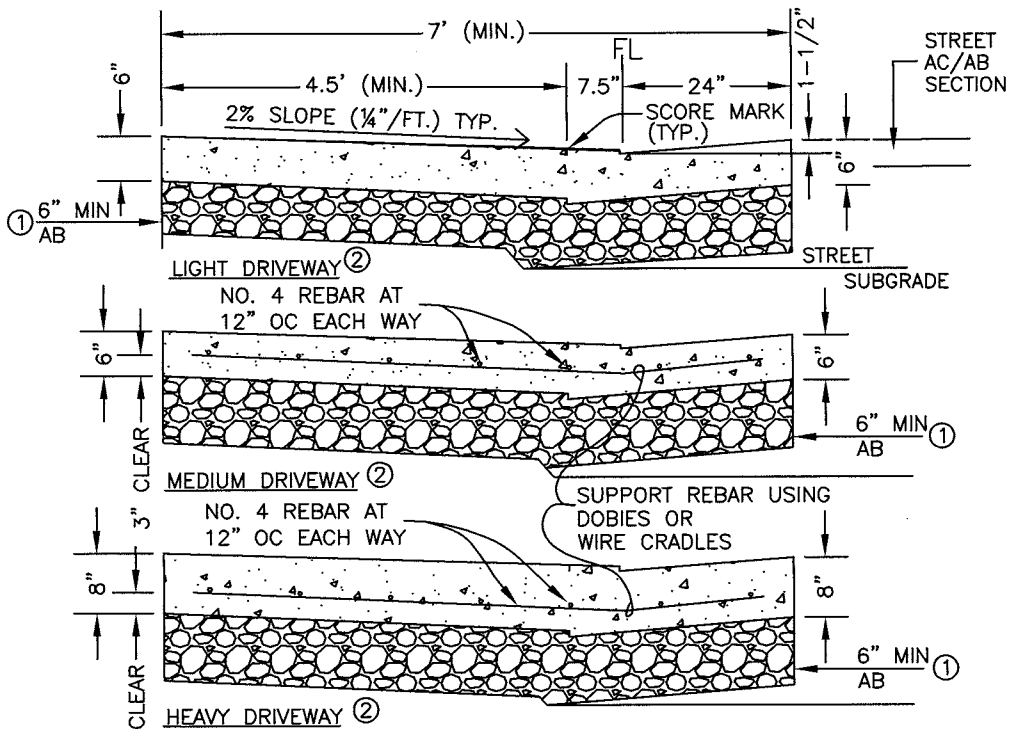
DESIGN STANDARDS

1. DRIVEWAY SLOPES AND GRADE CHANGES MUST MEET THE ADA REQUIREMENTS.
2. CONCRETE SHALL BE 6-SACK, CLASS A; 7 DAY MINIMUM CURE REQUIRED PRIOR TO OPENING FOR TRAFFIC.
3. DEEP TOOL JOINTS SHALL BE 1" DEEP OR $\frac{1}{4}$ OF SECTION DEPTH, WHICHEVER IS GREATER.
4. SCORE LINES SHALL BE $\frac{1}{4}$ " DEEP AND FORM A SQUARE PATTERN, PERPENDICULAR TO EDGES.
5. ALL EDGES SHALL HAVE $\frac{1}{2}$ " TOOLED RADIUS.
6. SIDEWALK AND DRIVEWAY SHALL HAVE A LIGHT BROOM FINISH PERPENDICULAR TO STREET. CURB AND GUTTER SHALL HAVE A LIGHT BROOM FINISH PARALLEL TO STREET.
7. LOCATE DRIVEWAYS SUCH THAT THEY ARE A MINIMUM OF 5' FROM FEATURES SUCH AS FIRE HYDRANTS, UTILITY POLES, DRAINAGE INLETS, CROSSWALKS, CURB RETURNS, ETC.
8. DRIVEWAY SLOPE MAY NEED TO BE FLATTENED FOR HIGH CROWN STREETS TO AVOID BOTTOMING OR SCRAPING OF THE VEHICLES UNDERCARRIAGE.

COUNTY OF YOLO		DATE:
PLANNING AND PUBLIC WORKS DEPARTMENT		08/05/08
STANDARD DRIVEWAY DETAILS		SHEET #
		1 OF 3
<i>Panos Koffas</i>		DRAWING #:
COUNTY ENGINEER No. C42401	28 AUG 08 APPROVAL DATE	4-22



**STANDARD DRIVEWAY
ADJACENT SIDEWALK**

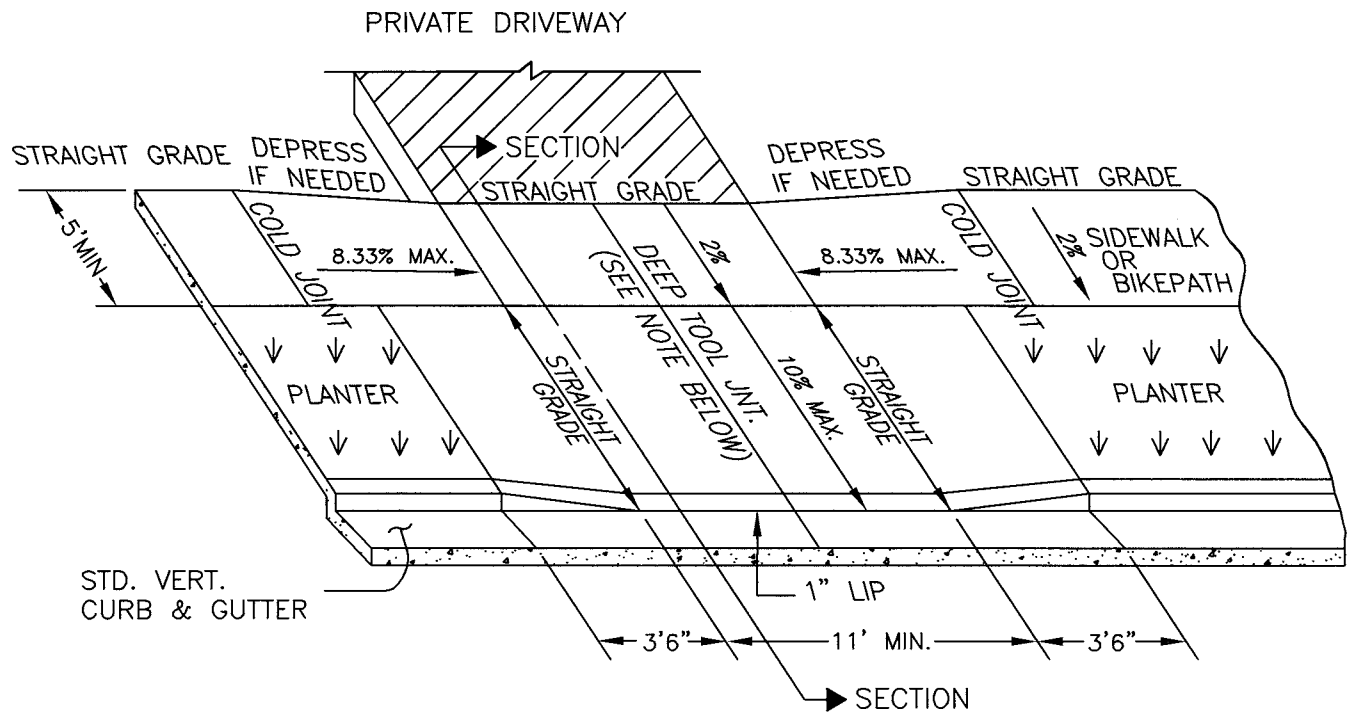


NOTES:

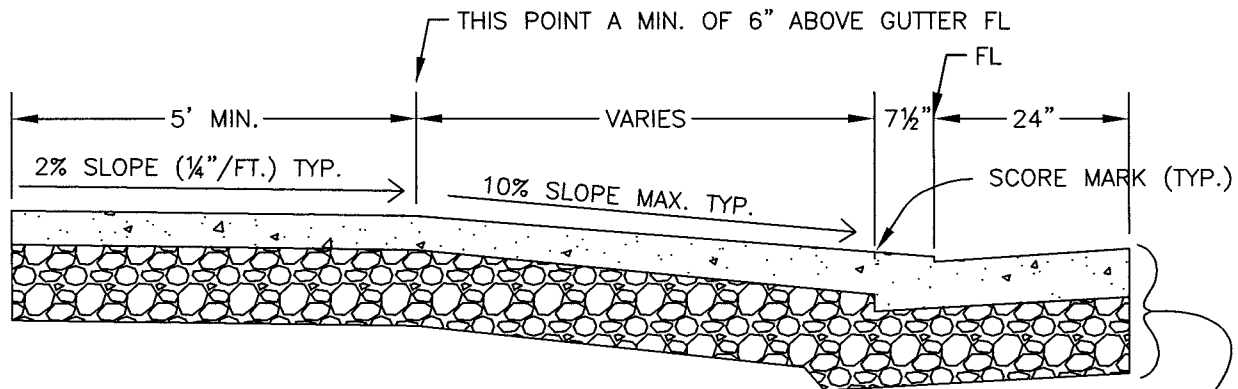
1. EXTEND TO ADJACENT STREET³ SUBGRADE DEPTH, WHICHEVER IS DEEPER.
2. SEE "DRIVEWAY TYPES" SHEET 1.
3. DEPTH OF DEEP TOOL JOINT SHALL BE 1" MIN. OR 1/4 CONCRETE THICKNESS WHICHEVER IS GREATER.
4. AGGREGATE BASE SHALL BE MATERIAL MEETING CALTRANS CLASS II STANDARDS, COMPACTED TO 95% RELATIVE COMPACTION.
5. TOP 8" OF SUBGRADES SHALL BE COMPACTED TO 95% RELATIVE COMPACTION.
6. FELT EXPANSION JOINT NOT ALLOWED IN DRIVEWAY

TYPICAL TYPE 1 SECTIONS

COUNTY OF YOLO PLANNING AND PUBLIC WORKS DEPARTMENT		DATE: 08/05/08
STANDARD DRIVEWAY DETAILS ADJACENT SIDEWALK		SHEET # 2 OF 3
<i>Paros Kakkas</i> COUNTY ENGINEER No. C42401	28 AUG 08 APPROVAL DATE	DRAWING #: 4-22 NOT TO SCALE



**STANDARD DRIVEWAY
SEPARATED SIDEWALK**



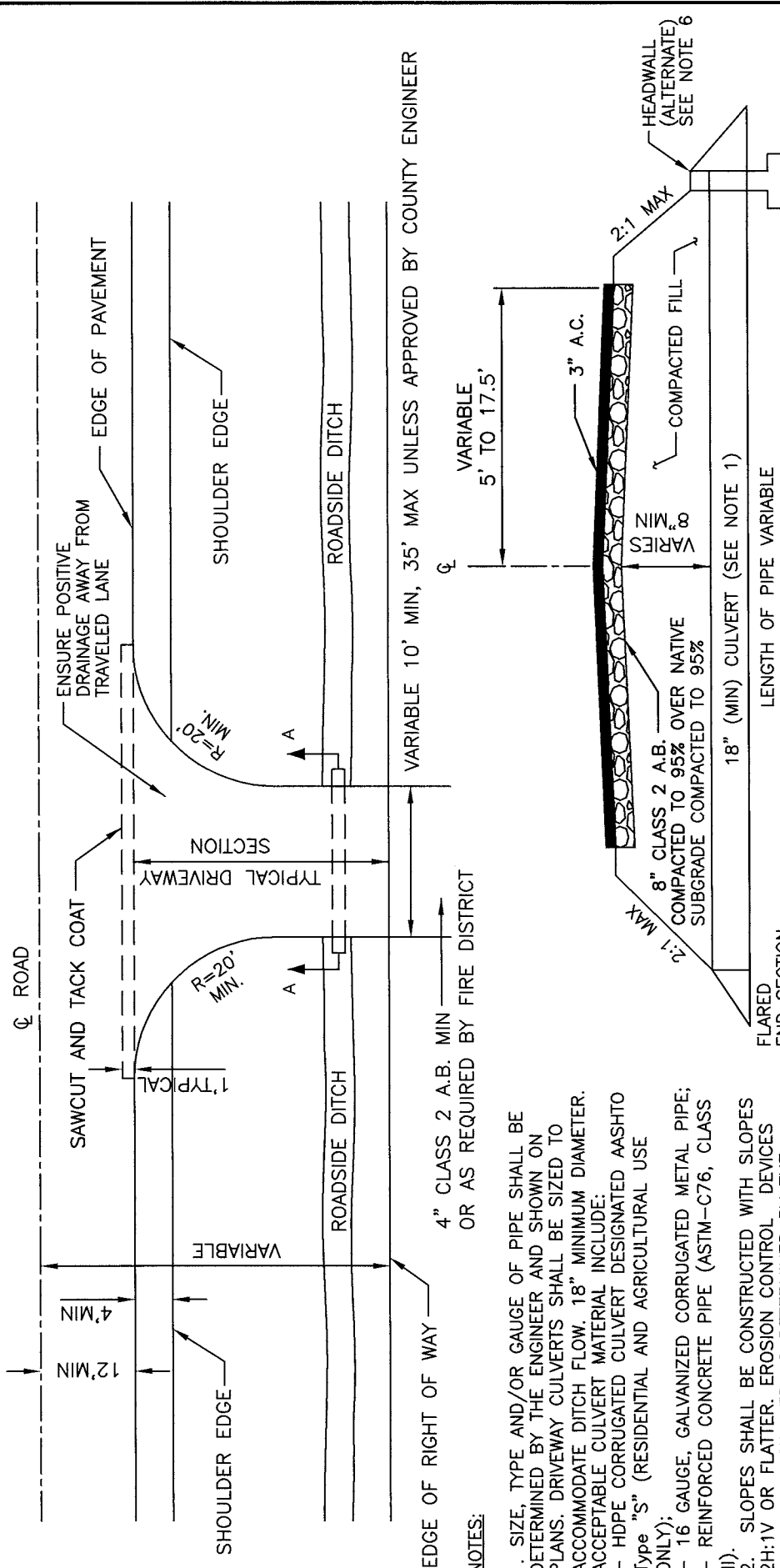
TYPICAL SECTION

SEE SHEET 2 FOR
MATERIAL, THICKNESS,
COMPACTION, AND
REBAR REQUIREMENTS

NOTE:

1. DEPTH OF DEEP TOOL JOINT SHALL BE 1" MIN. OR 1/4 CONCRETE THICKNESS WHICHEVER IS GREATER.

COUNTY OF YOLO PLANNING AND PUBLIC WORKS DEPARTMENT		DATE: 08/05/08
STANDARD DRIVEWAY DETAILS SEPARATED SIDEWALK		SHEET # 3 OF 3
<i>Paros Kalkas</i> COUNTY ENGINEER No. C42401	28 AUG - 08 APPROVAL DATE	DRAWING #: 4-22 NOT TO SCALE



VARIABLE 10' MIN, 35' MAX UNLESS APPROVED BY COUNTY ENGINEER

4" CLASS 2 A.B. MIN OR AS REQUIRED BY FIRE DISTRICT

VARIABLE 5' TO 17.5'

18" (MIN) CULVERT (SEE NOTE 1)

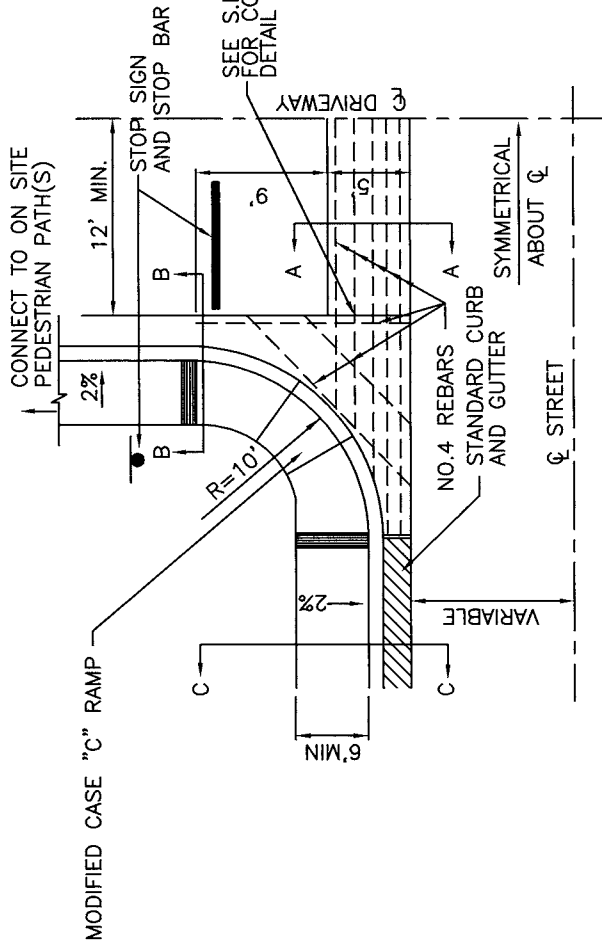
LENGTH OF PIPE VARIABLE

TYPICAL DRIVEWAY SECTION A-A

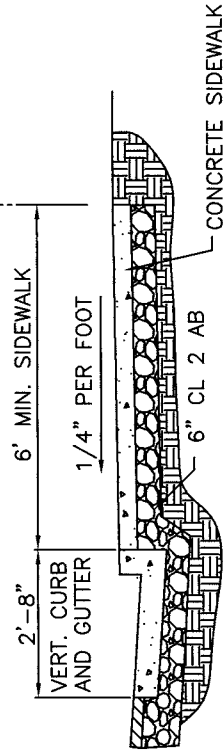
NOTES:

1. SIZE, TYPE AND/OR GAUGE OF PIPE SHALL BE DETERMINED BY THE ENGINEER AND SHOWN ON PLANS. DRIVEWAY CULVERTS SHALL BE SIZED TO ACCOMMODATE DITCH FLOW. 18" MINIMUM DIAMETER. ACCEPTABLE CULVERT MATERIAL INCLUDE:
 - HDPE CORRUGATED CULVERT DESIGNATED AASHTO Type "S" (RESIDENTIAL AND AGRICULTURAL USE ONLY);
 - 16 GAUGE, GALVANIZED CORRUGATED METAL PIPE;
 - REINFORCED CONCRETE PIPE (ASTM-C76, CLASS III).
2. SLOPES SHALL BE CONSTRUCTED WITH SLOPES 2H:1V OR FLATTER. EROSION CONTROL DEVICES SHALL BE INSTALLED AS DETERMINED BY THE ENGINEER AND SHOWN ON THE PLANS.
3. CONCRETE DRIVEWAYS SHALL NOT PROJECT INTO PUBLIC RIGHT OF WAY EXCEPT WHERE CLASS "A" IMPROVEMENTS ARE INSTALLED.
4. DRIVEWAY STRUCTURAL SECTION WITHIN RIGHT OF WAY: 3" ASPHALT CONCRETE OVER 8" AGGREGATE BASE ON COMPACTED SUBGRADE MATERIAL.
5. WHERE GRADES MAKE IT IMPOSSIBLE TO INSTALL DRIVEWAY CULVERTS, THE DRIVEWAY SHALL BE GRADED SUCH THAT DRAINAGE SHALL NOT BE OBSTRUCTED IN ANY MANNER.
6. HEADWALLS SHALL NOT PROJECT ABOVE THE ADJACENT GRADE.
7. DRIVEWAY OR CULVERT WITHIN THE PUBLIC RIGHT OF WAY SHALL BE THE RESPONSIBILITY OF THE PROPERTY OWNER.

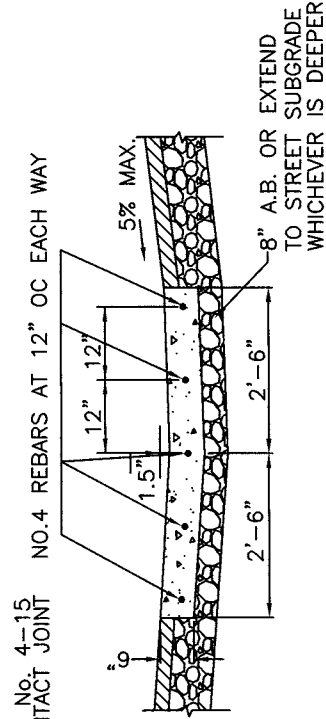
COUNTY OF YOLO PLANNING AND PUBLIC WORKS DEPARTMENT	DATE: 08/05/08
RURAL ROAD - DRIVEWAY DETAIL	SHEET # 1 OF 1
<i>James Kallas</i> COUNTY ENGINEER No. C42401	DRAWING #: 4-23 NOT TO SCALE
<i>28 Aug. 08</i> APPROVAL DATE	



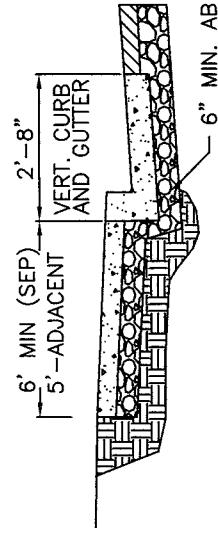
PLAN VIEW
(ADJACENT SIDEWALK)
R/W LINE



SECTION C-C
(ADJACENT SIDEWALK)



SECTION A-A
DRIVEWAY SLOPE NOT TO EXCEED 5% FOR A MINIMUM OF 20' FROM EDGE OF PAVEMENT.



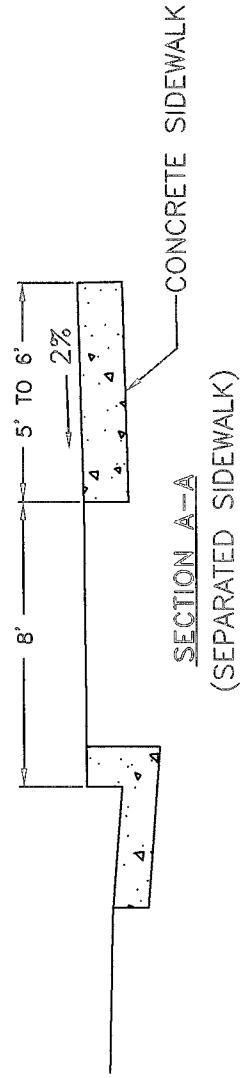
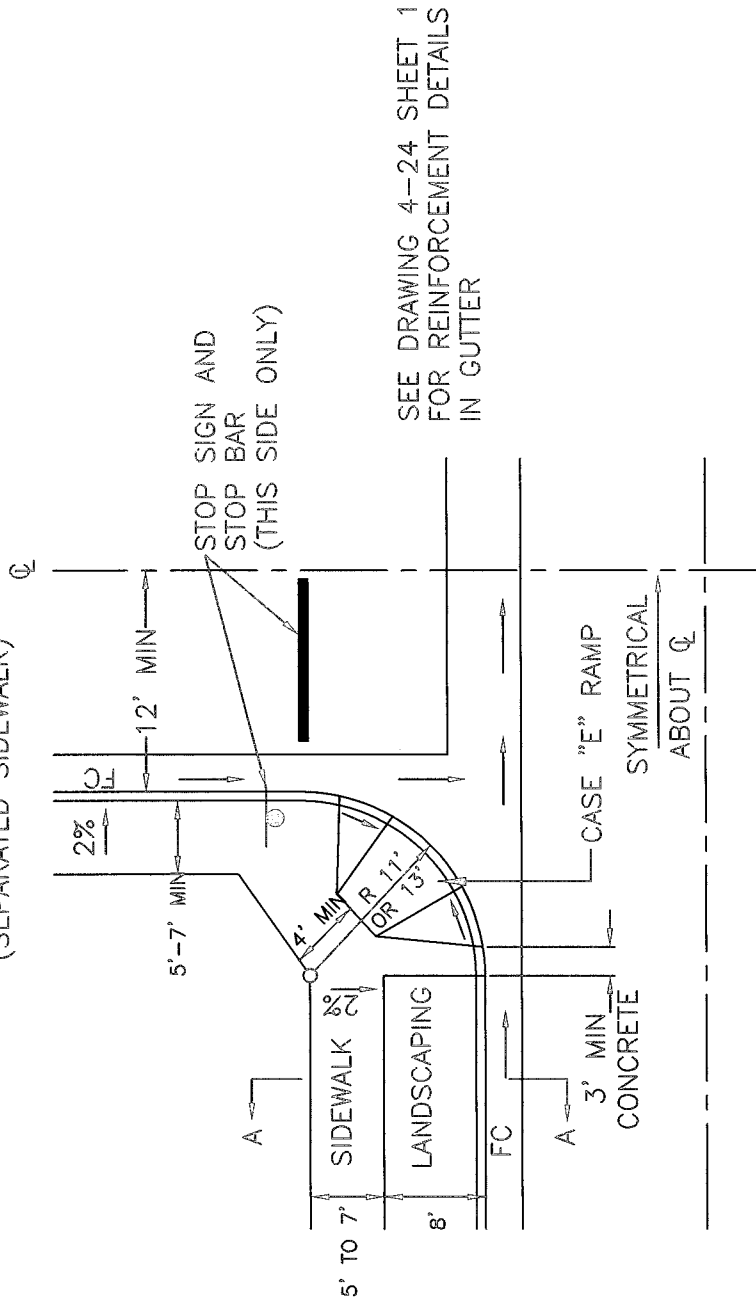
SECTION B-B

NOTE:

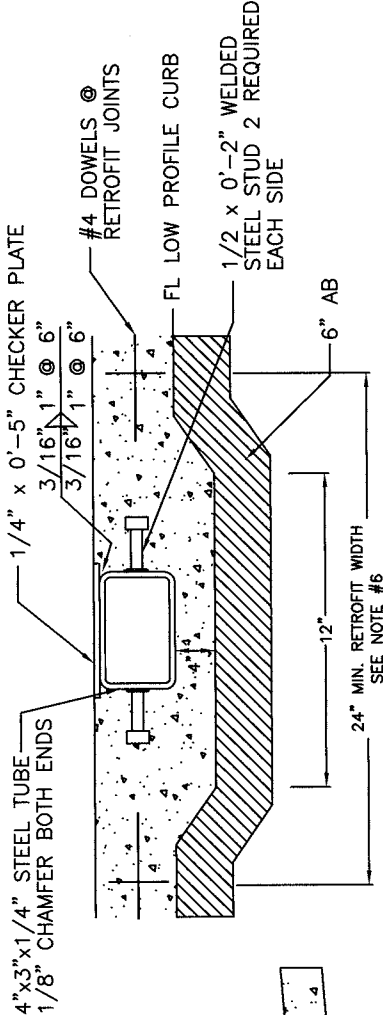
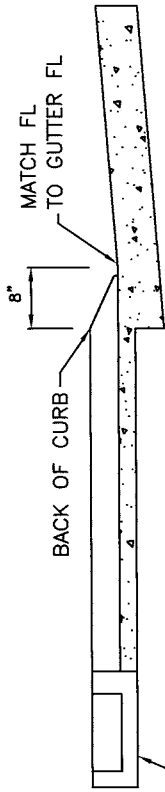
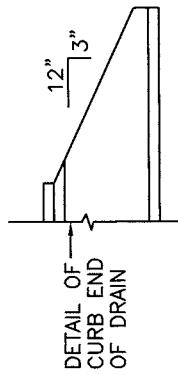
1. REFER TO CALTRANS STANDARD PLANS FOR HANDICAP RAMP DETAILS.

DATE: 08/05/08	COUNTY OF YOLO PLANNING AND PUBLIC WORKS DEPARTMENT
SHEET # 1 OF 2	SPECIAL COMMERCIAL FRONTAGE ENTRANCE
DRAWING #: 4-24 NOT TO SCALE	<i>Parsons</i> COUNTY ENGINEER No. C42401
	APPROVAL DATE <i>28 Aug. 08</i>

PLAN VIEW
(SEPARATED SIDEWALK)



DATE: 08/05/08	COUNTY OF YOLO PLANNING AND PUBLIC WORKS DEPARTMENT
SHEET # 2 OF 2	SPECIAL COMMERCIAL FRONTAGE ENTRANCE
DRAWING #: 4-24	APPROVAL DATE 28 AUG 08
NOT TO SCALE	COUNTY ENGINEER No. C42401 <i>Parvash Kulkas</i>

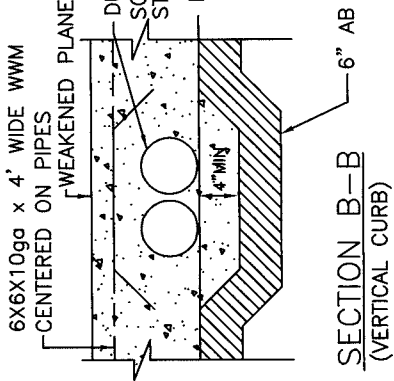


SECTION A-A
(FOR LOW PROFILE CURB)

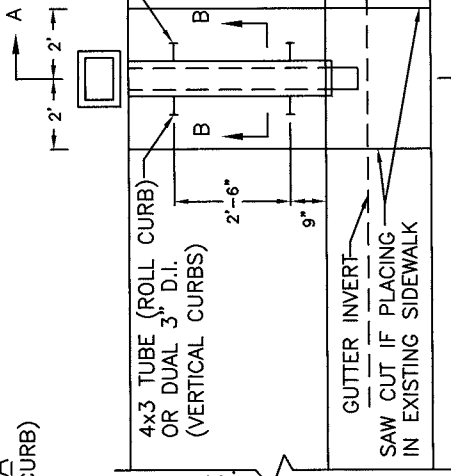
SECTION B-B

NOTES:

1. UNDER SIDEWALK DRAINS TO BE USED ONLY WHERE LOT DOES NOT DRAIN OVER SIDEWALK OR WHERE A STORM DRAIN DOES NOT EXIST AND EXTENSION OF STORM DRAIN IS IMPRACTICAL.
2. ADJACENT PROPERTY OWNER SHALL CLEAN AND MAINTAIN DRAIN.
3. EXTEND TUBE OR PIPES ACROSS PLANTER STRIP AND THRU CURB IF SEPARATED SIDEWALK.
4. HOT DIP GALVANIZE AFTER FABRICATION.
5. ADJACENT PROPERTY OWNER SHALL BE RESPONSIBLE FOR BACKFLOW PROTECTION MEASURES TO ENSURE THAT DURING STORM EVENTS STREET GUTTER DOES NOT BACKFLOW ONTO PROPERTY.
6. FOR RETROFITS ADJUST WIDTH AS REQ'D SO SAWCUTS ARE LOCATED AT EXISTING JOINTS.

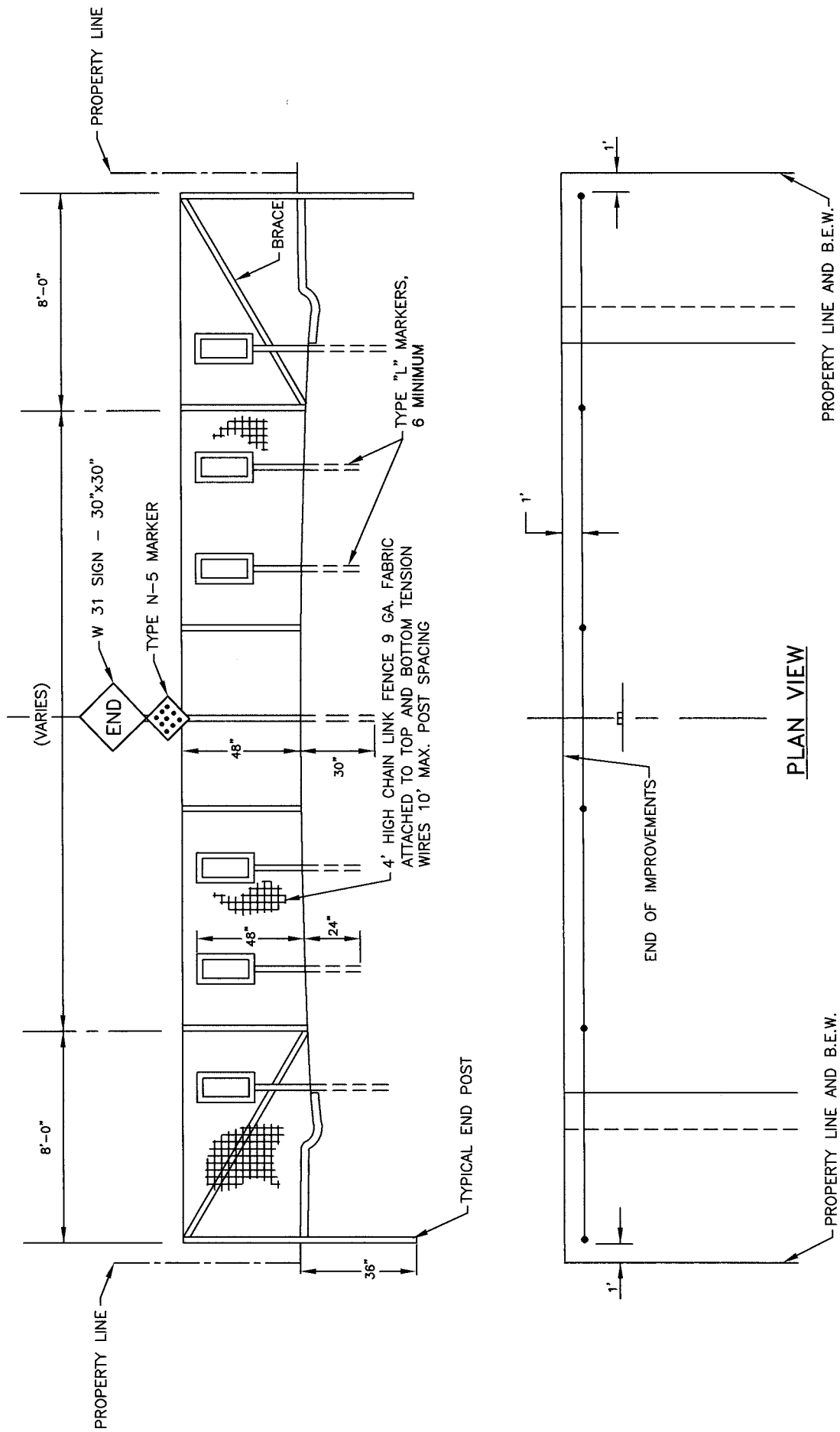


SECTION B-B
(VERTICAL CURB)



PLAN VIEW OF CURB, GUTTER AND SIDEWALK

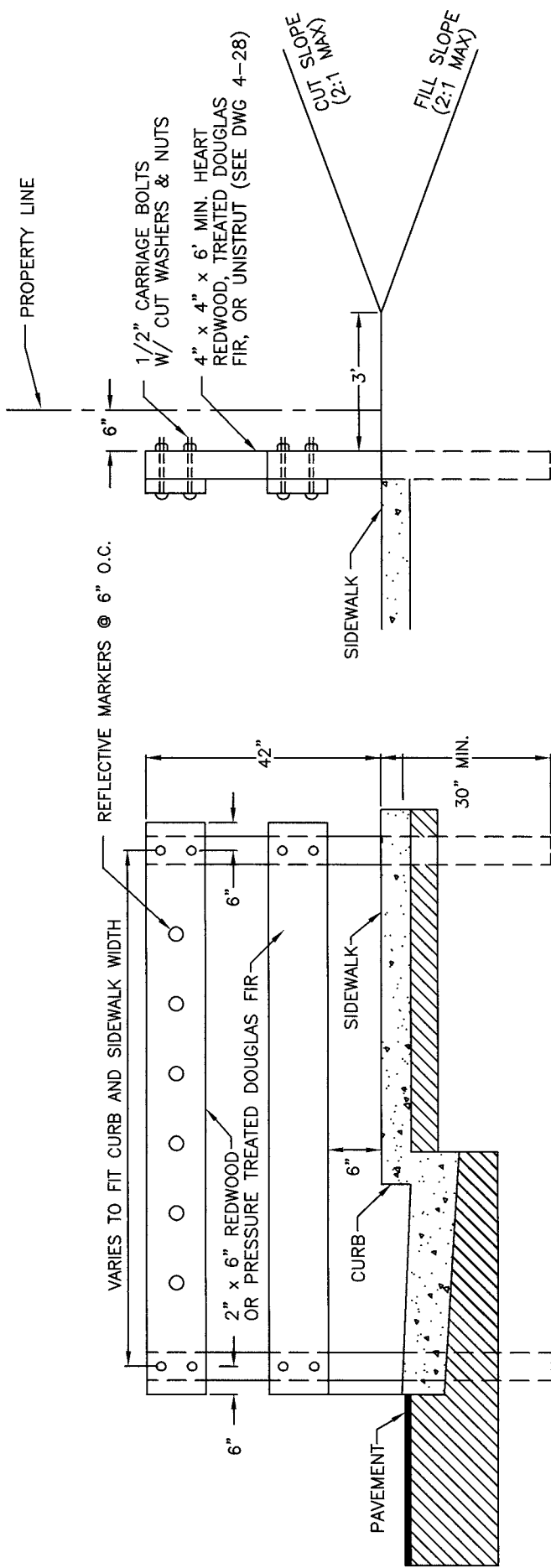
COUNTY OF YOLO PLANNING AND PUBLIC WORKS DEPARTMENT	DATE: 08/05/08
UNDER SIDEWALK DRAIN	SHEET # 1 OF 1
<i>James Hobbes</i> COUNTY ENGINEER No. C42401	DRAWING #: 4-25 NOT TO SCALE
<i>28 AUG. 08</i> APPROVAL DATE	



NOTES:

1. END POSTS TO BE 1-1/2" I.D. STANDARD WEIGHT PIPE WITH 8"x36" FOOTING.
2. BRACES AND LINE POSTS TO BE 1-1/4" STANDARD WEIGHT PIPE WITH 8"x30" FOOTING.

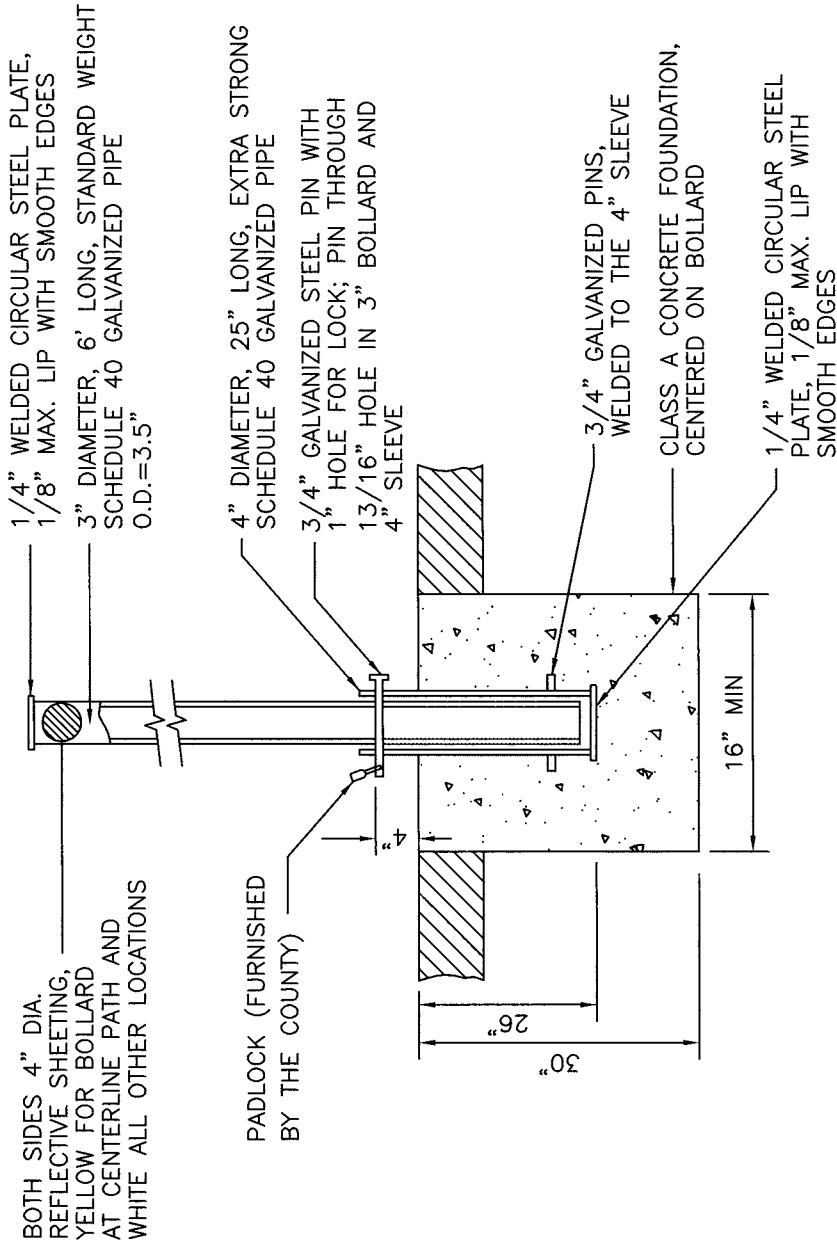
DATE:	08/05/08
SHEET #	1 OF 2
DRAWING #:	4-26
COUNTY ENGINEER No. C42401	NOT TO SCALE
COUNTY OF YOLO PLANNING AND PUBLIC WORKS DEPARTMENT SIGNS AND BARRICADES AT TEMPORARY STREET ENDS	
<i>Parsons</i> COUNTY ENGINEER No. C42401 APPROVAL DATE: 28 AUG. 08	



NOTES:

1. SIDEWALK BARRICADES TO BE ERECTED AT EACH LOCATION WHERE SATISFACTORY PROVISION CAN NOT BE MADE FOR PEDESTRIAN TO CONTINUE BEYOND THE TERMINUS OF A SIDEWALK.
2. ALL EXPOSED SURFACES TO BE PAINTED WITH TWO (2) COATS OF WHITE PAINT CONFORMING TO SECTION 91-3.02 OF STATE SPECIFICATIONS.

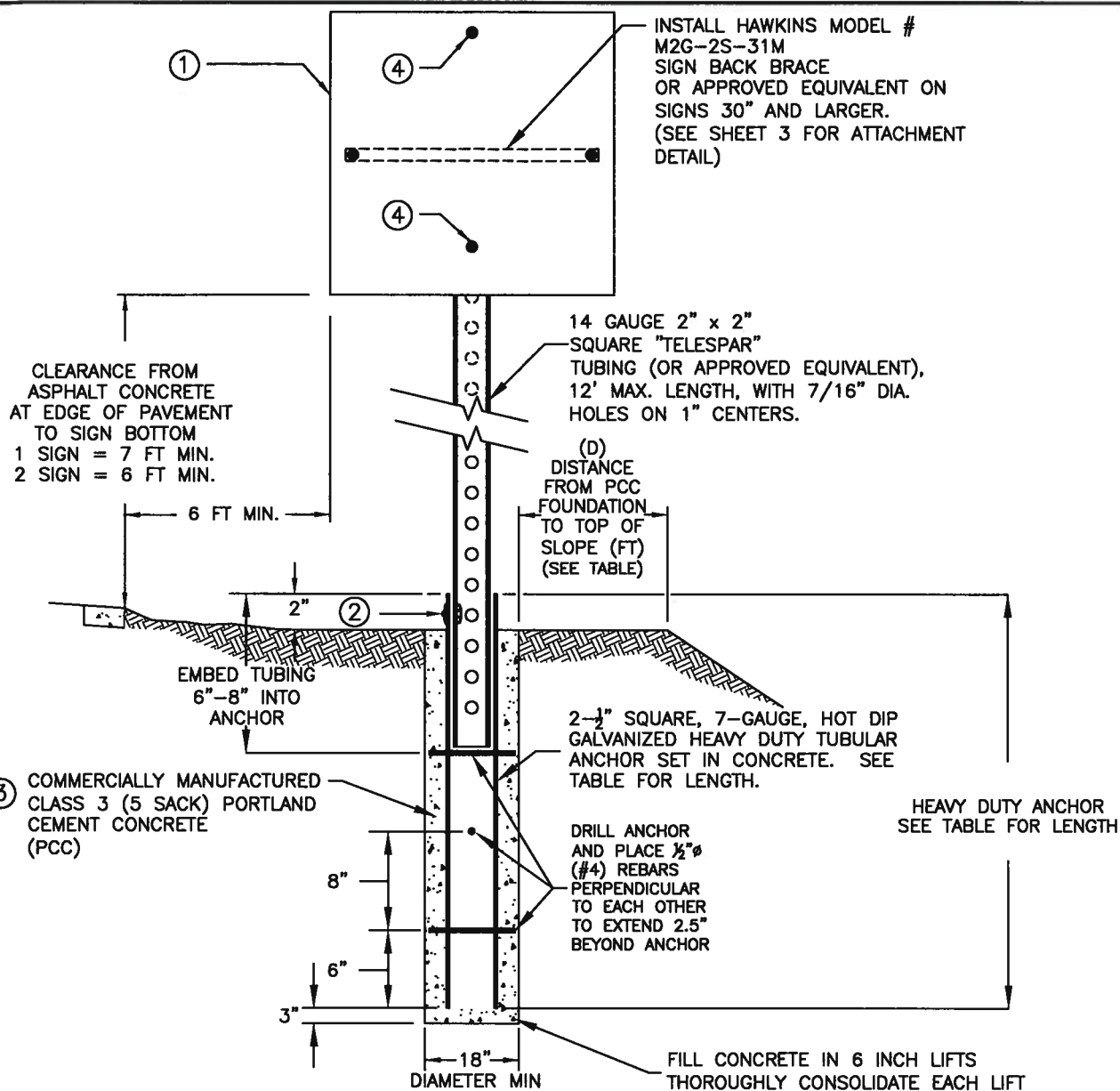
COUNTY OF YOLO PLANNING AND PUBLIC WORKS DEPARTMENT	DATE: 08/05/08
SIDEWALK BARRICADE	SHEET # 2 OF 2
<i>Paros Kokkas</i> COUNTY ENGINEER No. C42401	DRAWING #: 4-26 NOT TO SCALE
APPROVAL DATE 28 AUG 08	



NOTES:

1. BOLLARD AND SLEEVE SHALL BE SPRAY PAINTED WITH TWO COATS OF HIGH GLOSS WHITE RUST INHIBITIVE PAINT ON TOP OF ONE COAT OF PRIMER.
2. A GATE MIGHT BE REQUIRED INSTEAD OF REMOVABLE BOLLARDS AT REQUEST OF THE COUNTY ENGINEER.

COUNTY OF YOLO PLANNING AND PUBLIC WORKS DEPARTMENT		DATE: 08/05/08
REMOVABLE BOLLARD		SHEET # 1 OF 1
<i>Pamela Kallias</i> COUNTY ENGINEER No. C42401	28 AUG 08 APPROVAL DATE	DRAWING #: 4-27 NOT TO SCALE

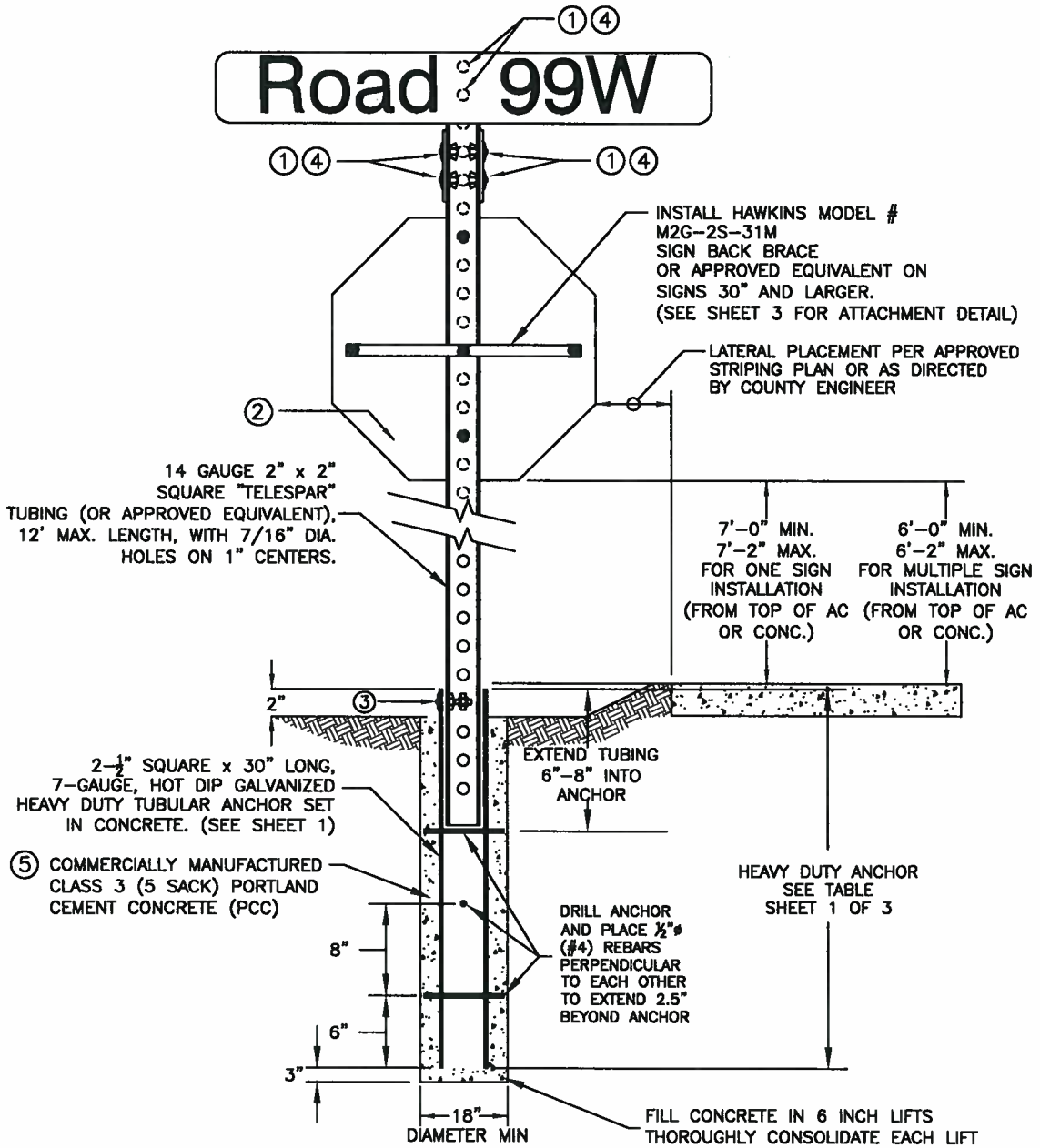


NOTES:

DISTANCE (D) FROM PCC TO TOP OF SLOPE (FT)	HEAVY DUTY ANCHOR LENGTH (IN)
D > 3.0	30" TELES PAR (ALLIED TUBE & CONDUIT, PART NO. HDA200-30-G, OR EQ.)
2.0 < D ≤ 3.0	36" TELES PAR (ALLIED TUBE & CONDUIT PART NO. HDA200-36-G, OR EQ.)
D < 2.0	SPECIAL DESIGN

- "R1-1 SIGNS SHALL BE "EXPRESSWAY" SIZE, AND ALL OTHER SIGNS SHALL BE "CONVENTIONAL ROAD" SIZE, AS DESCRIBED IN THE CALIFORNIA MUTCD, LATEST EDITION, TABLES 2B-1 AND 2C-2".
- 3/8" ALUMINUM DRIVE RIVETS (TELES PAR PART NO. DRAS3878-06, OR APPROVED EQUIVALENT.) PLACE DRIVE RIVETS AS SHOWN ON SHEET 3 OF 3.
- CONCRETE SHALL CURE A MINIMUM OF 7 DAYS PRIOR TO INSTALLING SIGN.
- 5/16" DIA. X 3" GALV. CARRIAGE BOLT (SEE SHEET 3 FOR ATTACHMENT DETAIL).
- REFER TO THE LATEST EDITION OF THE CALIFORNIA MUTCD FOR STANDARDS NOT SHOWN HERE.
- ALL SIGNS SHALL BE PLACED WITHIN COUNTY ROAD RIGHT OF WAY.

COUNTY OF YOLO		DATE:
PLANNING AND PUBLIC WORKS DEPARTMENT		5/6/2013
STREET SIGN ASSEMBLY-RURAL		SHEET #
<i>Paras Koffel</i>		1 OF 3
COUNTY ENGINEER No. C42401		DRAWING #:
7 MAY 2013		4-28
APPROVAL DATE		NOT TO SCALE



NOTES:

1. 9" TALL X 0.080" ALUMINUM SIGN PLATE WITH WHITE LETTERS (6" HIGH INITIAL UPPER-CASE LETTERS, 4.5" HIGH LOWER CASE LETTERS) ON GREEN REFLECTIVE BACKGROUND. SINGLE FACED. DO NOT INCLUDE BLOCK NUMBERS. SEE IMPROVEMENT STANDARD FOR PRIVATE ROAD SIGN STANDARD.
2. "R1-1 SIGNS SHALL BE "EXPRESSWAY" SIZE, AND ALL OTHER SIGNS SHALL BE "CONVENTIONAL ROAD" SIZE, AS DESCRIBED IN THE CALIFORNIA MUTCD, LATEST EDITION, TABLES 2B-1 AND 2C-2".
3. 3/8" ALUMINUM DRIVE RIVETS (TELESPAR PART NO. DRAS3878-06, OR APPROVED EQUIVALENT). PLACE DRIVE RIVETS AS SHOWN ON SHEET 3 OF 3.
4. (2) GREEN 3/8" ALUMINUM DRIVE RIVETS PER SIGN. PLACE DRIVE RIVETS AS SHOWN ON SHEET 3 OF 3.
5. CONCRETE SHALL CURE A MINIMUM OF 7 DAYS PRIOR TO INSTALLING SIGN.
6. ALL SIGNS SHALL BE PLACED WITHIN COUNTY ROAD RIGHT OF WAY.

COUNTY OF YOLO PLANNING AND PUBLIC WORKS DEPARTMENT		DATE: 5/6/2013
STREET SIGN ASSEMBLY-SUBDIVISION		SHEET # 2 OF 3
<i>Paras Kallias</i> COUNTY ENGINEER No. C42401		DRAWING #: 4-28 NOT TO SCALE
7 MAY 2013 APPROVAL DATE		

SIGN STANDARDS AND DETAILS

SHEETING (BACKGROUND)

3M TYPE XI DIAMOND GRADE 3 SERIES 4000 PRISMATIC SHEETING

- A. WHITE—REGULATORY SIGNS AND GUIDE SIGNS (STREET NAMES)
- B. FLUORESCENT YELLOW—WARNING SIGNS
- C. FLUORESCENT ORANGE—CONSTRUCTION SIGNS
- D. FLUORESCENT YELLOW/GREEN—SCHOOL, PEDESTRIAN AND BICYCLE SIGNS

SHEETING (FOREGROUND)

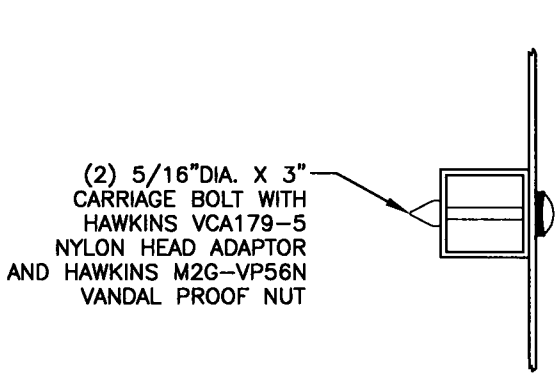
3M ELECO CUT FILM (E.C. FILM) SERIES 1170

- A. RED—REGULATORY SIGNS
- B. GREEN—GUIDE SIGNS (STREET NAMES)
- C. BLUE—DISABLED PERSONS (ADA) AND TOURIST SIGNS
- D. BROWN—RECREATIONAL AND CULTURAL SIGNS

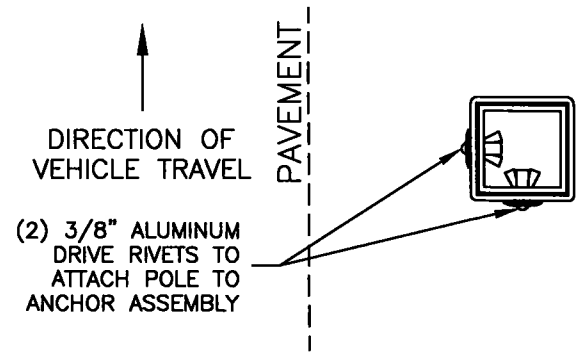
LEGENDS AND TEXT

3M SCOTCHCAL ELECTRO CUT FILM SERIES 7725

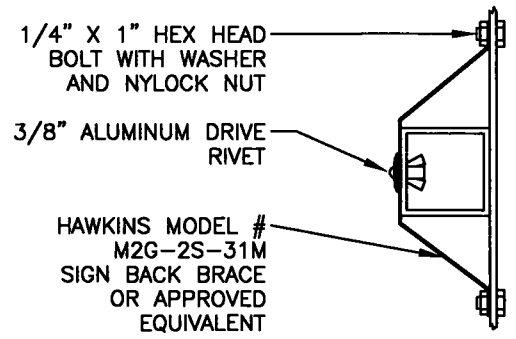
- A. BLACK



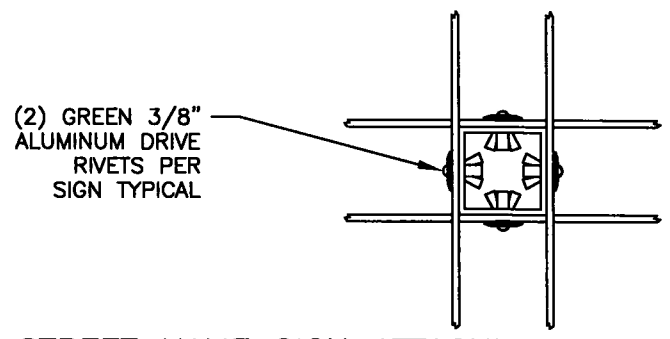
SIGN ATTACHMENT DETAIL



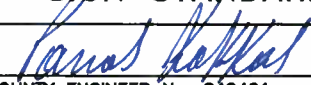
SIGN POST TO ANCHOR ATTACHMENT DETAIL

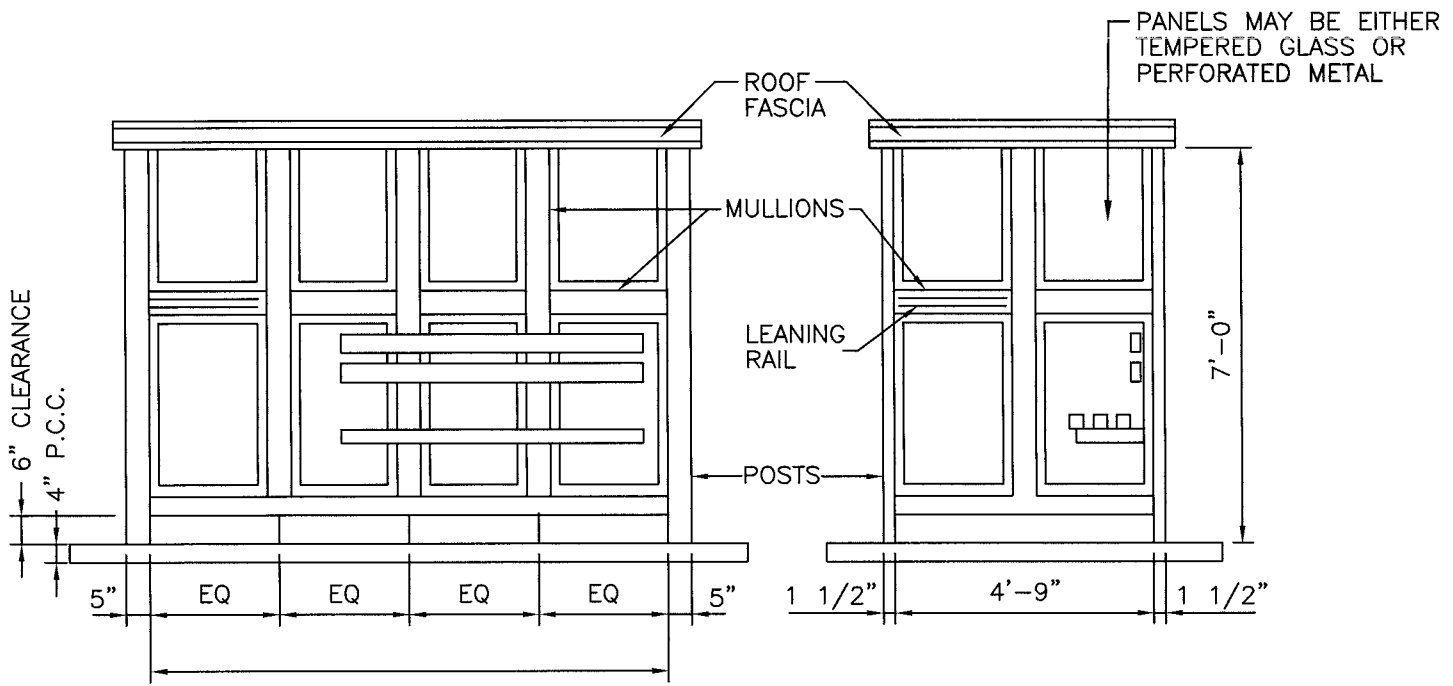


BRACE ATTACHMENT DETAIL

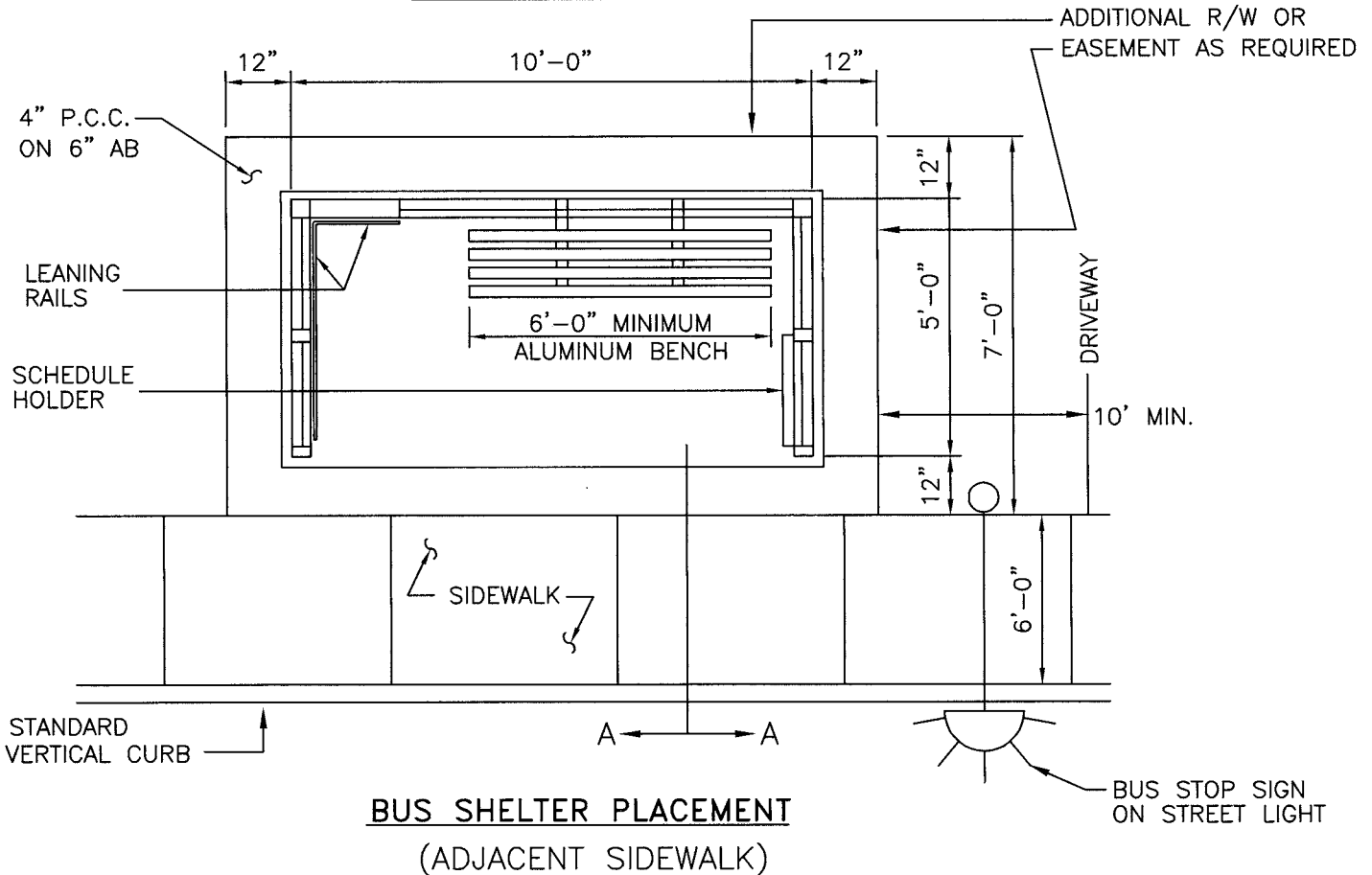


STREET NAME SIGN ATTACHMENT DETAIL

COUNTY OF YOLO PLANNING AND PUBLIC WORKS DEPARTMENT	DATE: 5/6/2013
SIGN STANDARDS AND DETAILS	SHEET # 3 OF 3
 COUNTY ENGINEER No. C42401	7 MAY 2013 APPROVAL DATE
DRAWING #: 4-28 NOT TO SCALE	



BUS SHELTER DESIGN



NOTE:

- BUS SHELTER SHALL BE APPROVED BY YOLO COUNTY TRANSPORTATION DISTRICT.

COUNTY OF YOLO PLANNING AND PUBLIC WORKS DEPARTMENT		DATE: 08/05/08
BUS SHELTER DESIGN AND PLACEMENT		SHEET # 3 OF 3
<i>Parsons Koffas</i> COUNTY ENGINEER No. C42401		DRAWING #: 4-29 NOT TO SCALE
28 AUG - 08 APPROVAL DATE		